



COUNTERTOP DISHWASHER

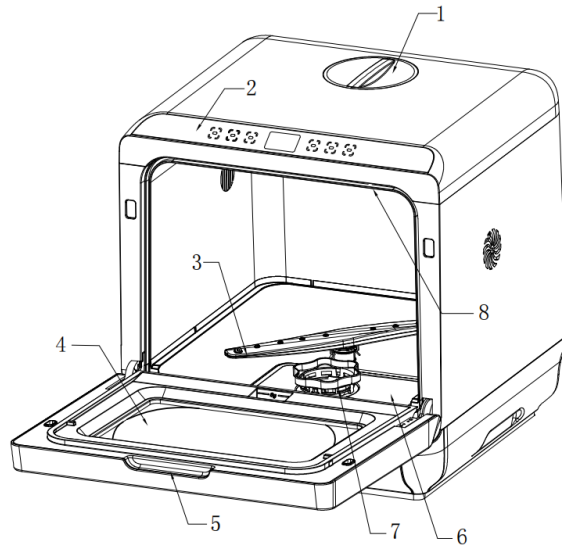
OPERATING MANUAL



DGDISHW01

PLEASE NOTE

A plastic or burning odor may be noticeable during the first one or two wash cycles. This is normal and will dissipate shortly.

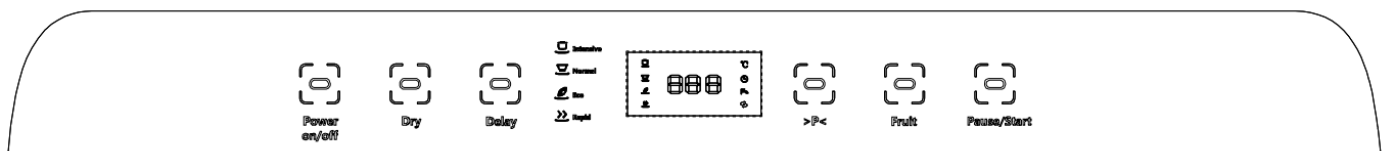


No.	Parts	No.	Parts
1	Water tank cover	5	Handle
2	Control panel	6	Filter screen
3	Spray arm	7	Filter
4	Inner Glass Door	8	Top Spray

Dish rack



Control panel



Accessories list

Dishwasher	1	Water tank cover	1	Pipe clamp (for drainage pipe)	1
Dish rack	1	Drainage pipe	1	Operating manual	1
Chopsticks box	1	Water inlet pipe	1	Measuring cup	1
Fruit basket	1	Suction pad	1		

Products Features

- High temperature wash
- Table dishwasher, easy to install
- Rapid wash, only 29 minute runtime
- Includes fruit wash function (for apple, grape etc.)

Technical data

Power	120V/60Hz
Rated power	840W
Water consumption	4.5 L
Dimension(W*D*H)	17.72 x 17.32 x 18.03 inch
Weight(N.W.)	28.6 lb
Drying method	Hot air drying

Safety precautions

1. At time of delivery, check packaging and dishwasher immediately for signs of transport damage. If the appliance is damaged, do not use it and contact your supplier or customer service. Please dispose of packaging materials properly.
2. Place the dishwasher and install it in accordance with the installation instructions.
3. The dishwasher must not be connected to the electrical supply while installing.
4. Ensure that wiring is properly grounded.
5. The main electrical supply must conform to the details shown on the dishwasher nameplate. **Do not** connect the dishwasher to the electricity supply via an extension cable.
6. During installation, the power supply cord must not be excessively or dangerously bent or flattened. During installation, the dishwasher must only be used by adults for the washing of household dishes.
7. This appliance cannot be installed outdoors, not even if the area in which it is installed is covered by a roof; it is also very

dangerous to leave it exposed to the rain and elements.

8. Do not place any heavy objects or water container, it will influence the dishwasher work or cause damage.

9. The water inside the dishwasher is not suitable for drinking. Do not use solvents of any kind inside your dishwasher. They can damage the dishwasher and possibly cause explosions.

10. Open the door very carefully if the dishwasher is operating. There is a risk of water spraying out. **Do not touch the heating element during or after a wash cycle.**

11. Fundamental rules to follow when using the appliance:

- Never touch the dishwasher when barefoot or with wet hands or feet;
- We discourage the use of extension cords and multiple sockets
- If the appliance is not operating properly or maintenance must be performed, disconnect the appliance from the power supply.

12. If your family includes children

- The appliance is not intended for use by young children or infirm persons without supervision.
- Young children should be supervised to ensure that they do not play with the appliance.
- Keep detergents out of the reach of children, who must also be kept away from the dishwasher when it is open.

13. If a fault occurs

- If the appliance malfunctions, turn off water supply to the appliance and disconnect the plug from the wall socket. Then, consult the section entitled, "Troubleshooting". If you cannot solve the problem, contact a service center.
- Only specialized personnel are authorized to make repairs.
- If the supply cord is damaged, it must be replaced by the manufacturer, its service agent or similarly qualified person to avoid hazards.

14. To maintain the EFFICIENCY and SAFETY of this appliance, we recommend:

- call only the service centers authorized by the manufacturer.
- always use original spare parts.

15. When disposing of old appliances

- Appliances which are no longer being used must be made inoperable by cutting the power supply cord and removing the door.
- Take the appliance to a designated waste disposal center.

Installation guide

Unpacking

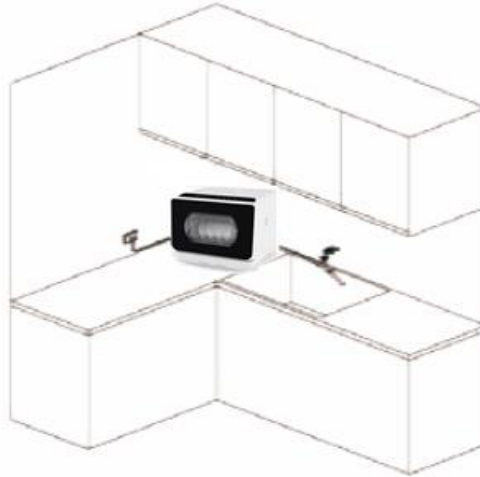
- Unpack external carton, foam pad, plastic bag
- Unpack package of dish rack, meanwhile take out the accessories

- Put dish rack back properly

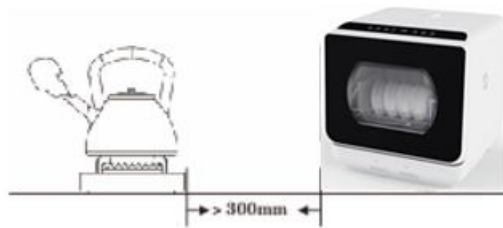
Tips: each appliance was tested before leaving factory to ensure quality. Water droplets may be present upon opening the dishwasher for the first time.

Positioning the appliance

1. When positioning the appliance in the desired location, ensure a vertical height over 500mm, leave a distance over 50mm for four sides. The dishwasher is equipped with (water supply and) drain hoses that can be positioned to the right or the left to facilitate proper installation.



2. Keep the appliance away from gas stove or other heat producers (over 300mm)



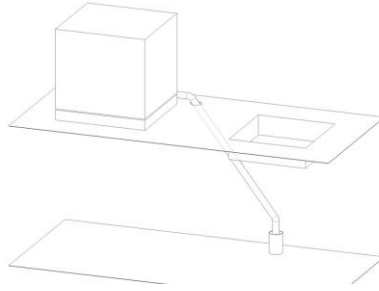
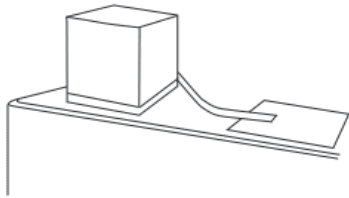
3. To easily inlet or drain, place this appliance on the cabinet or table.

4. Do not place this appliance in the locations below:

- In direct sunlight
- Cold temperatures
- Uneven and unstable surfaces

5. Drainage pipe connection

- Connect drainage pipe to outlet and clamp, and the end pipe must not be immersed in water.
- Connect water inlet pipe and drainage pipe to dishwasher, see the following diagram:



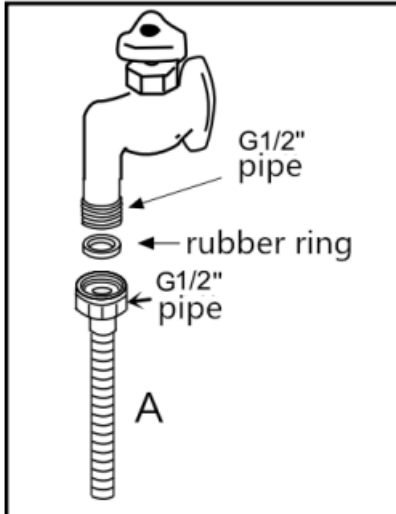
6. Fix drainage pipe on the sink with suction pad



7. Connect the water inlet pipe

- Connect the water inlet pipe to the threaded G1/2" connector
- Make sure it is fastened in place.
- If the pipe is new or has not been used for a long time, run water to ensure that the water is clear and free of impurities.

If this precaution is not taken, there is a danger that the water inlet will become blocked and damage the equipment.



8. The required water pressure is 0.03Mpa~1.0Mpa.

Electrical Connection



After making sure that the voltage and frequency values for the current in the home correspond to those on the rating plate and that the electrical system is correct for the maximum voltage on the rating plate, insert the plug into an electrical socket which is grounded properly (the grounding of the appliance is a safety requirement mandated by law). If the electrical socket to which the appliance must be connected is not appropriate for the plug, replace the whole cable, rather than using adapters or the like as they could cause overheating and burns.

Methods for adding water

- Adding water manually

- Open water tank cover, then add 4.5 liters of water.

- Before startup, fill up with water, appliance will make a “di-di-di” sound.

- After start up, if the tank is out of water the “” icon stays on until the tank is filled with water. A “di-di-di” chime will occur , and “” icon will turn off.

- Adding water automatically

- Connect water pipe into dishwasher, it will add water automatically.

- Make sure the water pressure is between 0.03MPa and 1.0MPa. If over 1.0MPa the high pressure will damage the appliance. If less than 0.03MPa, the appliance will struggle to function.

User guide

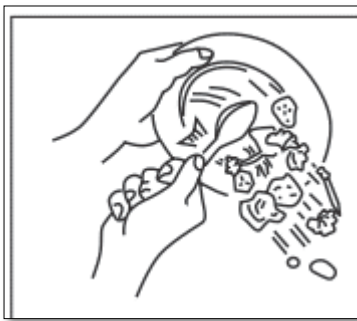
Program overview

Program	Kinds of tableware	Type of food remains	Condition of food remains	Dishwashing tablet	Wash time(mins)
Intensive wash	Porcelain tableware, knife & fork, spoon, chopsticks ect.	Soup, casserole,sauce,rice, egg, roast or fried food ect.	Stuck on hard	10g	99 (include 20min drying time)
ECO wash	Porcelain tableware, knife & fork, spoon, chopsticks ect.	Soup, casserole,sauce,rice, egg, roast or fried food ect.	Stuck on hard	10g	139 (include 58min drying time)
Normal wash	Porcelain tableware, knife & fork, spoon, chopsticks ect.	Soup, casserole,sauce,rice, egg, roast or fried food ect.	Stuck on hard	10g	79 (include 20min drying time)
Rapid wash	Porcelain tableware, knife & fork, spoon, chopsticks ect.	Coffee, tea, soup, juice	Loosely attached	8g	29 (no drying)
Fruit wash	Apple, grape,pear ect.	/	/	/	18 (no drying)

Dry		<p>1) 1) Short press Dry and choose any mode of Intensive/Eco/Normal/Rapid , it will work 90mins each alternate 12hrs, will be turned off after 163.5hrs.</p> <p>2) Long press Dry Key 3~5s at standby status to activate drying process 90mins each alternate 12hrs separately, then turned off after 163.5hrs. (NOTE:If you need one extra Dry cycle after each washing program for better drying result,please turn off the machine manually after first 90mins dry finished)</p> <p>3) Long press Dry Key 3~5s at shutdown status, it will start to drain the water tank for 4mins.</p> <p>Tip: For best drying effects, we recommend to choose any one of these wash program s(Intensive/Eco/Normal/Rapid) and Dry.</p>
------------	--	--

Arranging dishes, glasses, etc. in the dishwasher

Before placing the dishes in the dishwasher, remove larger food particles to prevent the filter from becoming clogged, which results in reduced performance. If the pots and pans have baked-on food that is extremely hard to remove, we recommend that they are soaked before washed. This will eliminate the need for extra wash cycles. Pull out the rack to load the dishwasher.



How to use the rack

We recommend that you place the most difficult to clean items on the rack: pots, pans, lids, serving dishes and bowls, as shown in the figure. It is preferable to place serving dishes and lids on the sides of the racks in order to avoid blocking the rotation of spray arm. Pots, serving bowls, etc. must always be placed face down.



Silverware should be placed in the silverware basket with the handles at the bottom; if the rack has side baskets, the spoons should be located individually into the appropriate slots. Especially long utensils should be placed in the horizontal position.

Capacity of dish rack:

Deep plate	2	Mug	2	Spoon	4
Shallow plate	3	Chopsticks	4 pairs	Sauce boat	2
Rice bowl	4	Glass	2	Table spoon	1
Noodle bowl	3	Rice scoop	1		

WARNING:

Knives and other utensils with sharp points must be loaded in the basket with their points down or placed in a horizontal position.

How to fill the detergent

Detergent specifically intended for use with dishwashers must be used. Add your dishwasher detergent of choice into the dishwasher directly. You must be refill the detergent tray before the start of each wash cycle.

Not suitable for the dishwasher

1. We recommend you do not wash cutlery and tableware manufactured made of whole or part wood. They become faded and unsightly in appearance. Furthermore, the adhesives that are used are not suitable for the temperatures that occur inside the dishwasher. Delicate decorative glassware and vases, special antique or irreplaceable china should also not be placed in the dishwasher.
2. The decorative patterns on items will not be dishwasher-proof.
3. Plastic objects that are not resistant to hot water. Copper and pewter utensils are also not suitable. Decorative patterns printed or painted onto the surface of crockery, glasses, etc., aluminum and silver items tend to become discolored or faded if washed in the dishwasher. Some types of glass can become opaque in appearance after they have been washed multiple times in the dishwasher. Highly absorbent materials, such as sponges and towels, should never be placed in the dishwasher.

Our recommendation

In future, only purchase tableware or kitchenware that has been confirmed as being dishwasher safe.



Important

Dishes or cutlery that have been soiled by tobacco ash, wax, lubricating grease or paint, should not be put in the dishwasher.

Damage to glassware and other dishes

Possible causes

- Type of glass or manufacturing process
- Chemical composition of detergent
- Water temperature and duration of dishwasher program.

Suggested remedy

- Use glassware or porcelain dishes that have been marked “dishwasher safe” by the manufacturer.
- Use a mild detergent. If necessary, seek further information from detergent manufacturers.
- Select a program with a low temperature and the shortest duration possible.
- To prevent damage, take glass and cutlery out of the dishwasher as soon as possible after the program has ended.

Washing dishes

Program selection

The most appropriate program can be identified by comparing the type of crockery, cutlery, etc., as well as the amount and condition of food remains, with the details contained in the wash cycle table. The corresponding program sequence, duration, and consumption details are shown in the right half of the overview.

For example: Use the<intensive or ECO> program for dishes and utensils which have plenty of food remains stuck and dried hard.

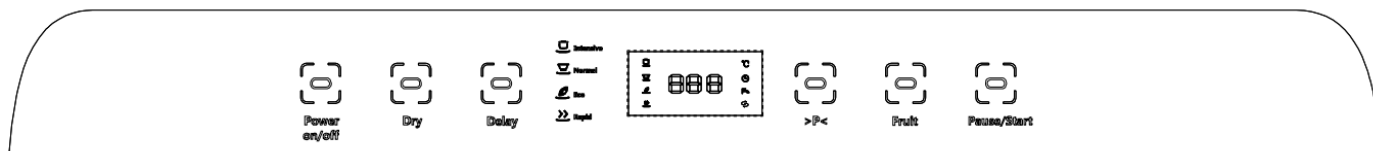
Program data

The stated program data is based on standard operating conditions. The values can vary considerably according to different amounts of dishes, temperature of the main water supply, and pressure of main the water supply. Additionally, ambient fluctuations in the main voltage machine can have an effect. Other related factors (ex. temperature, water volume, etc...) can contribute to performance as well.

Switching the dishwasher ON

Closed the door, then:

- Press and hold the “Power on/off ” button to turn on the machine
- Press “>P<” button to choose the wash mode, the screen shows the remaining time of the program. If you change the program, you can continue press the “>P<” button
- Press “Pause/Start” button, the program starts automatically.



End of program

Six beeps will indicate that the wash cycle has finished and then the dishwasher will be turned off. Several minutes after the program has ended:

- Open the door.
- Turn the water tap off.
- Remove dishes, etc. when they have cooled down.

Interrupting the program

- Open the door. **Caution!** There is a risk of hot water spraying out from inside the appliance. Do not open the door fully until spray arm has stopped rotating.
- Open the door, please press the “Pause/Start” button first!
- If the appliance has already heated up or the hot water was switched ON and then the appliance door opened, leave the door ajar for several minutes and then close. Otherwise, the appliance door may open due to expansion.

Cancelling or modifying a cycle

- To modify a cycle that is already underway, press the “Power” button and all of the settings will be canceled. To set a new cycle, and then press the “Power” button again to switch on the dishwasher, press “>P<” to choose new wash mode. During modifying the cycle, if the detergent has already been used, and the appliance may have already drained the wash water. If this is the case, the detergent must be refilled.
- To cancel one running cycle, press the “Power” button.

How to maintain your dishwasher

● After Every Wash

After every wash, turn off the water supply the appliance and leave the door slightly ajar so that moisture and odors are not trapped inside.

● Remove the plug

Before cleaning or performing maintenance, always remove the plug from the socket. Do not take risks!

● DO NOT use solvents or abrasive cleaning products

To clean the exterior and rubber parts of the dishwasher, do not use solvents or abrasive cleaning products. Rather, use only a cloth and warm soapy water.

To remove spots or stains from the surface of the interior, use a cloth dampened with water and a little white vinegar, or a cleaning product made specifically for dishwashers.

- **Moving the Appliance**

If the appliance must be moved, try to keep it in a vertical position. If absolutely necessary, it can be positioned on its back.

- **Seals**

One of the factors that cause odors to form in the dishwasher is food that remains trapped in the seals. Periodic cleaning with a damp sponge will prevent this from occurring.

The door should not be left in the open position since this could present a tripping hazard.

- **When you go on vacation**

When you are away for an extended amount of time, it is recommended that you run a wash cycle with the dishwasher empty and then remove the plug from the socket, turn off the water supply and leave the door of the appliances lightly ajar. This will help the seals last longer and prevent odors from forming within the appliance.

Care and maintenance

Regular inspection and maintenance of your appliance helps to prevent problems from occurring. This saves time and aggravation. You should carefully inspect the inside of your dishwasher from time to time.

Overall condition of appliance

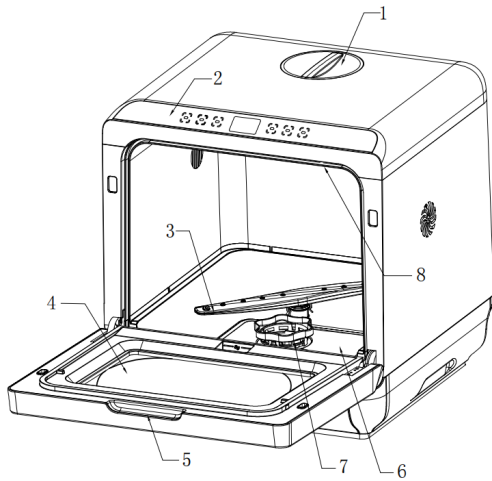
Check that no grease or scale has accumulated on the inside of the dishwasher.

If you discover any deposits: Clean the interior of the dishwasher thoroughly with a detergent solution.

Filter

The filter (6 and 7) can prevent larger particles of food in the water from reaching the pump. These particles may occasionally block the filters.

- When the appliance has finished washing, check the filters for particles of food and, if required, clean.
- After undoing the coarse micro-filter (7), the filter unit (6) can be removed. Remove any particles of food and rinse the filters under running water.
- Insert the filter unit (6) and tighten the coarse microfilter (7).



Spray arm

Lime and remnants of food in the wash water can block the nozzles in the spray arms

- Inspect the nozzles in the for blocked holes due to remnants of food.
- If necessary, pull the lower arm upwards and lift it off.
- Clean the spray arms under running water.
- Refit the spray arms.

Troubleshooting

Resolving minor problems yourself

Experience has shown that you can resolve most problems that rise during normal daily usage yourself, without having to call out a service engineer. Not only does this save money, but it also means that the appliance is available for use again that much sooner. The following list of common occurrences and their remedies should help you identify the causes of most problems.

Problems...

...when the appliance is switched on and the appliance does not start up

- Fault with fuse in main electrical supply.
- Plug not inserted in wall socket.
- Appliance door not closed properly.
- Program button has not been pressed.
- Water tap not turned on.
- Blocked strainer in water intake hose.


- The strainer is situated in the aquastop or supply-hose connection.

! Caution

Do not forget that repairs should only be carried out by a qualified specialist. Improper repairs can lead to considerable equipment damage as well as danger to the user.

...with the appliance itself

Error display on the time-remaining indicator

Problem indicate	problem	possible reason	remark
E1	inlet abnormality	1. Inlet valve or outlet valve problem 2. Flow meter problem 3. Submersible pump problem *4. The water tank is not fully filled up and water shortage icon “  ” keeps on	
E2	Temperature sensor alarm	The temperature sensor is connected improperly or broken	
E3	Overflow alarm	1. Inlet valve is broken leads to too much water comes inside dishwasher 2. Spare parts water leak	
E4	Heating alarm	Heater or temperature sensor has problem	
E5	Communication	Communication problem	
Faucet indicator light	No water inlet	No enough water in water tank	
OP	The door is open	The door is not closed, or the connecting cable is broken	

Water remains inside appliance after program has ended

- Blockage or kind in drainage hose.
- Pump is jammed.
- Filters are blocked.

The program is still running.

Wait for the program to end during washing

Unusual amount of foam is present

- Normal washing liquid (non-dishwasher) has been poured into the dishwasher.
- Remove any spilled rinse aid with a cloth as it could otherwise lead to excessive foaming during the next washing cycle.

Appliance stops suddenly while washing is taking place

- Cut off electricity supply to appliance.

- Water supply has been interrupted.

Knocking sound can be heard while washing is taking place

- A spray arm is knocking against the dishes inside the appliance.
- Rattling sound can be heard while washing is taking place
- Crockery has not been stacked properly inside the appliance.

Knocking sound coming from inlet valves

- This is caused by the way the water pipes have been laid and it has no effect upon the way the appliance functions. There is no remedy for this.
- Remove any spilled rinse aid with a cloth as it could otherwise lead to excessive foaming during the next washing cycle.

..with the dishes, cutlery, etc.

Remnants of food are stuck to the dishes, cutlery, etc.

- Dishwasher was not loaded properly. Jets of water could not reach all parts of the dishes, etc.
- Too many items in the rack.
- Items in the rack were touching each other.
- Not enough detergent was added to dishwasher
- Selected wash program was not intensive enough.
- Rotation of spray arm was obstructed by dishes, etc.
- Nozzles in spray arm are blocked by remnants of food.
- Filters are blocked.
- Filters have been incorrectly fitted.
- Waste-water pump is jammed.

Plastic items are discoloured

- Not enough detergent was added to dishwasher..
- Detergent has insufficient bleaching properties. Use a detergent containing a chemical bleaching agent.

White stains are left on crockery, glasses have a milky appearance

- Not enough detergent was added to dispenser compartment.
- You have hard water
- If you used a phosphate-free detergent, try a detergent containing phosphates and compare results.

Dishes, cutlery, etc. have not been dried

- Selected program did not include drying function
- Items were removed from dishwasher too soon.

Tea stains or traces of lipstick have not been completely removed

- Detergent does not have a sufficient bleaching effect
- Washing temperature was set too low.

Glasses become clouded and discoloured; coating cannot be wiped off

- Unsuitable detergent was used.
- Glasses are not dishwasher-proof.



Manufacturer's 1-Year Limited Warranty

The manufacturer warrants that all parts and components are defect free in materials and workmanship for 1 year. This warranty is valid only in accordance with the conditions set forth below:

1. The warranty extends only to the original consumer purchaser and is not transferable. In addition, proof of purchase must be demonstrated.
2. This limited warranty is the only written or express warranty given by the manufacturer. Any implied warranty of merchantability or fitness for a particular purpose on this product is limited in duration to the duration of this warranty. Some states do not allow limitations on how long an implied warranty lasts, so the above limitation may not apply to you.
3. This warranty gives you specific legal rights. You may also have other rights which vary by state

Procedure for Replacement or Return within the 1 Year:

To return the product for replacement or refund within the 1 year, the original purchaser must pack the product securely and send it postage paid with a description of the reason for replacement or refund, proof of purchase, and include your order number on the package, to the following address:

Deco Home
80 Carter Drive
Edison, NJ 08817

Other contact info

Phone: 844-413-2646

Customer Service Email: customerservice@decogear.com