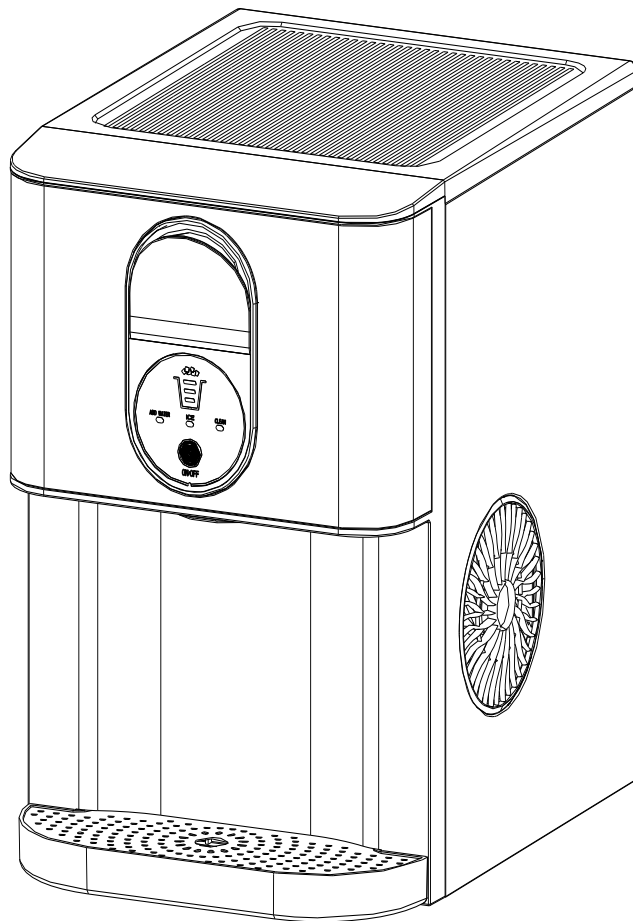




## **USER MANUAL**

### **46LB Self Dispensing Automatic Nugget Ice Maker**

**DGADIMN01**



**IMPORTANT:** Please read these instructions before using your portable ice maker. We strongly recommend that you keep them in a safe place for future reference.

## **TABLE OF CONTENTS**

<b>IMPORTANT SAFETY INSTRUCTIONS</b> .....	2
<b>PREPARING YOUR ICE MAKER FOR USE</b>	
IMPORTANT SAFETY TIPS.....	3
<b>GETTING TO KNOW YOUR UNIT</b> .....	4
<b>OPERATING PROCEDURES &amp; MAINTENANCE</b>	
UNPACKING YOUR ICE MAKER.....	5
CONNECTING YOUR ICE MAKER.....	5
CLEANING AND MAINTAINING YOUR ICE MAKER.....	5
<b>USING YOUR ICE MAKER</b> .....	6-9
TROUBLESHOOTING.....	10
<b>TECHNICAL PARAMETERS &amp; CIRCUIT DIAGRAM</b> .....	11
TECHNICAL PARAMETERS .....	11
CIRCUIT DIAGRAM .....	11
<b>DISPOSAL AND WARRANTY INFORMATION</b> .....	12

## ***IMPORTANT SAFETY INSTRUCTIONS***

**Your safety and the safety of others are very important.**

We have provided many important safety messages manual and your appliance.

Always read and obey all safety messages.

This is the safety alert symbol:



All safety messages will follow the safety alert symbol and the word “DANGER” or “WARNING”.



These words mean:

**You can be killed or seriously injured if you don't immediately follow instructions.**

All safety messages will tell you what the potential hazard is, how to reduce the chance of injury, and inform you what can happen if the instructions are not followed.

## **PREPARING YOUR ICE MAKER FOR USE**

When using electrical appliances, basic safety precautions should be followed to reduce the risk of fire, electric shock, and injury to persons or property. Read all instructions before using any appliance.

- Do not operate this or any other appliance with a damaged cord.  
If the supply cord is damaged, it must be replaced by the manufacture, service agent or a similarly qualified person in order to avoid a hazard.  
This ice-maker must be positioned so that the plug is accessible.  
Connect to properly grounded outlets only. No other appliance should be plugged into the same outlet. Be sure that the plug is fully inserted into the receptacle.
- Do not run the power cord over carpeting or other heat insulators. Do not cover the cord. Keep cord away from traffic areas, and do not submerge in water.
- We do not recommend the use of an extension cord, as it may overheat and become a fire risk. If you must use an extension cord, use No.14AWG minimum size and rated no less than 1875 watts.
- Unplug the ice maker before cleaning or making any repairs or servicing.
- Exercise caution and use reasonable supervision when appliance is used near children.
- Do not use your ice maker outdoors. Place the ice maker away from direct sunlight and make sure that there is at least 6 inches of space between the back of your unit and wall. Keep a minimum distance of 6 inches on each side of your unit free.
- Do not use any liquid other than water to make the ice cubes.
- Do not clean your ice maker with flammable fluids. The fumes can create a fire hazard or explosion.
- Do not tip over.
- If the ice maker is brought in from outside in wintertime, give it a few hours to warm up to room temperature before plugging it in.

**WARNING:** This appliance must be grounded.

**IMPORTANT:**

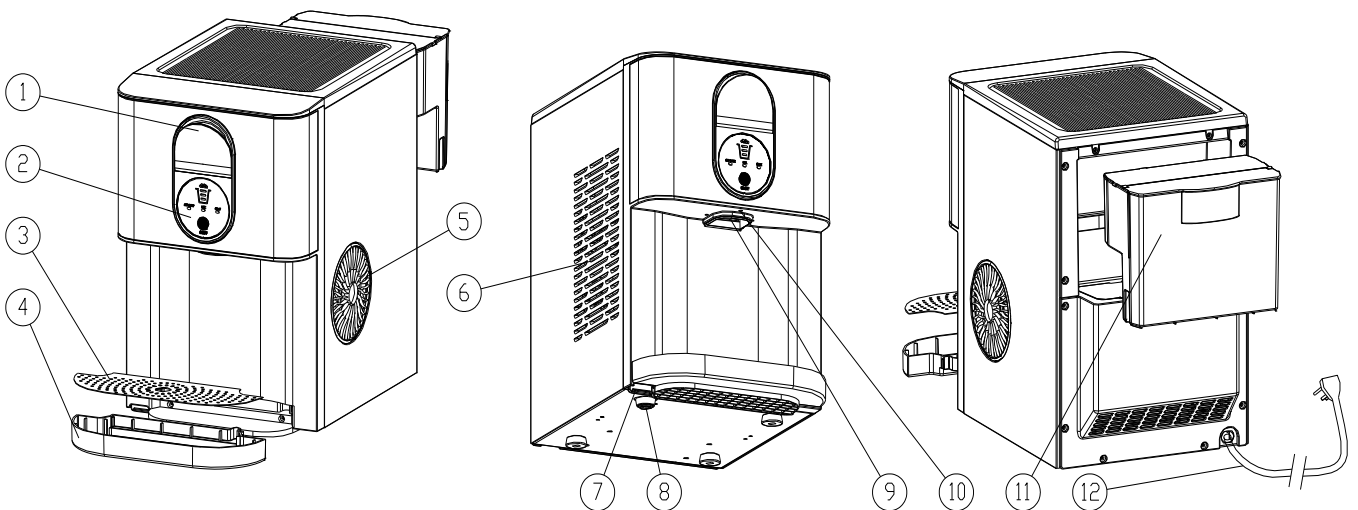
The wires in the main lead are colored in accordance with the following code:

Green or Green with a yellow stripe:	Grounding
White:	Neutral
Black:	Live

To avoid a hazard due to instability of the appliance, it must be placed at an even or flat surface.

## GETTING TO KNOW YOUR UNIT

1. Lever for ice control
2. Control Panel
3. Cover for drip tray
4. Drip tray
5. Hot Air outlet
6. Metal shell
7. Water drain cap 1: at front bottom side of the unit (Drain the water inside the machine).
8. Water drain cap 2: at front bottom side of the unit (Drain the water stored inside the machine due to accidental overflow)
9. Ice outlet position
10. Light
11. Water reservoir
12. Power cord



## **OPERATING PROCEDURES & MAINTENANCE**

1. Remove the exterior and interior packaging, and then check that all accessories are included. If any parts are missing, please contact our customer service.
2. Remove all the tape on the unit; take out the accessory parts inside.
3. Clean the interior with lukewarm water and a soft cloth.
4. Place your ice maker on a level counter table far from direct sunlight and other sources of heat (i.e. stove, furnace, and radiator). Make sure that there is at least 6 inches between the back and sides of your ice maker with the wall.
5. Allow one hour for the refrigerant fluid to settle down before plugging your ice maker in.
6. The power plug must be accessible directly.

**WARNING:** fill with potable water only. Only use drinking water.



### **DANGER**

**\*Improper use of a grounded plug can result in the risk of electrical shock. If the power cord is damaged, please call our customer service.**

1. This unit should be properly grounded for your safety. The power cord of this appliance is equipped with a grounding plug which connects with standard grounding wall outlets to minimize the possibility of electric shock.
2. Plug your appliance into an exclusive, properly installed, grounding wall outlet. Do not under any circumstances; damage the grounding means of the plug. Any questions concerning power and/or grounding should be directed toward a certified electrician.
3. This appliance requires a standard 110-120Volt, 60Hz electrical outlet with good grounding means.

Before using your ice maker it is strongly recommended to clean it thoroughly.

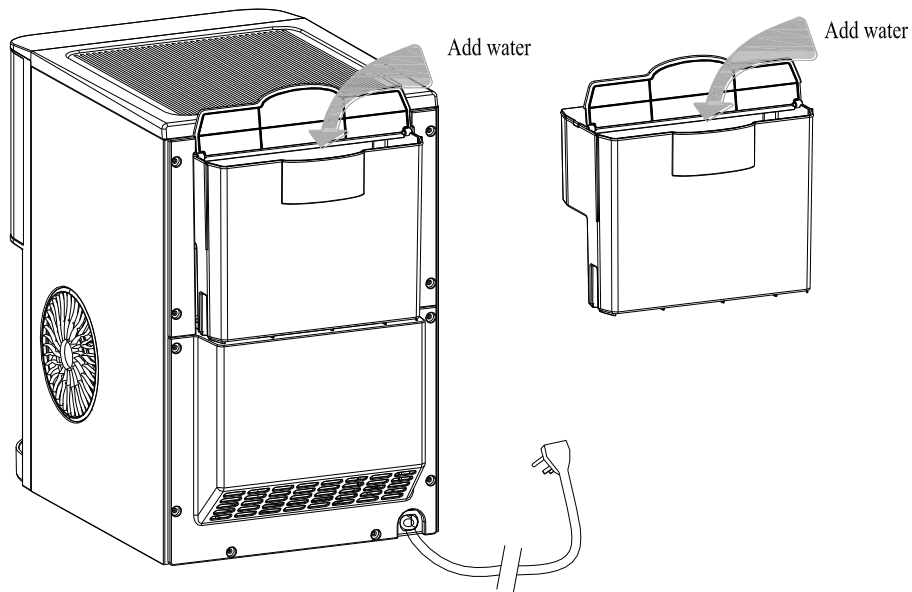
Unplug the unit before cleaning or performing any maintenance.

1. Move the machine to the edge of the counter top, remove the drip tray, then put a container under the desktop, unplug the water drain cap 1&2 to drain the water inside the unit.
2. Reinsert the water drain cap 1&2, turn the back of the unit toward you, take out the water reservoir.
3. Then use the water to rinse the inside parts, and drain out the water by unplugging the drain cap on front bottom side.
4. The outside of the ice maker should be cleaned regularly with a mild detergent solution and warm water.
5. Dry the interior and exterior with a clean soft cloth.
6. When the machine will not be in use for an extended time, drain the water completely and dry the interior.

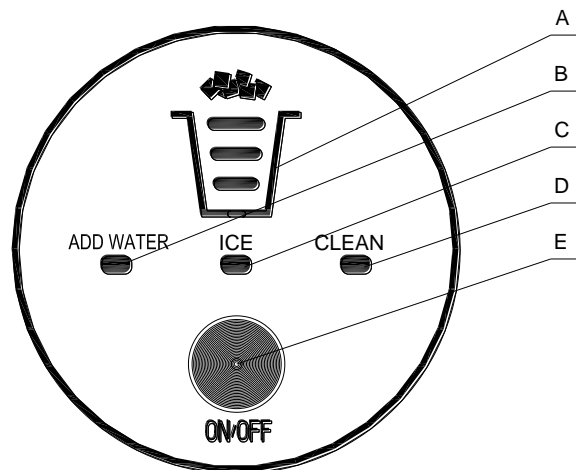
## USING YOUR ICE MAKER

### How to start the unit

1. Pour potable water into water reservoir, 0.63 gallon (2.4 liters) of water at most at one time.
2. There are two ways to add water: Add water directly to the water reservoir at the back of the unit; Take out the water reservoir to add water then put it back.
3. Plug in the power cord.



### Operation and display areas



- A: Ice quantity indicator    B: Add water indicator    C: Ice making indicator  
D: Cleaning indicator    E: ON/OFF button

Plug in the power cord and the screen will turn on. You can operate this appliance by pressing the button on panel as shown above. The main status indicators are below for reference:

**Standby:** "ON/OFF" button flashes white

**Ice making:** "ON/OFF" button flashes blue and white alternately, "ICE" indicator is on.

**Water shortage (during ice making):** "ADD WATER" indicator is on and "ICE" indicator is on simultaneously, "ON/OFF" button flash white and red alternately.

**Clean:** "ON/OFF" spins in blue, "CLEAN" indicator is on.

**Water shortage (during cleaning):** "ADD WATER" indicator is on, "CLEAN" indicator is on simultaneously, "ON/OFF" button flash blue and red alternately.

**Add water abnormal:** "ADD WATER" and "ICE" indicator flash simultaneously, "ON/OFF" button flashes red. For this, refer to the troubleshooting section.

## CLEANING

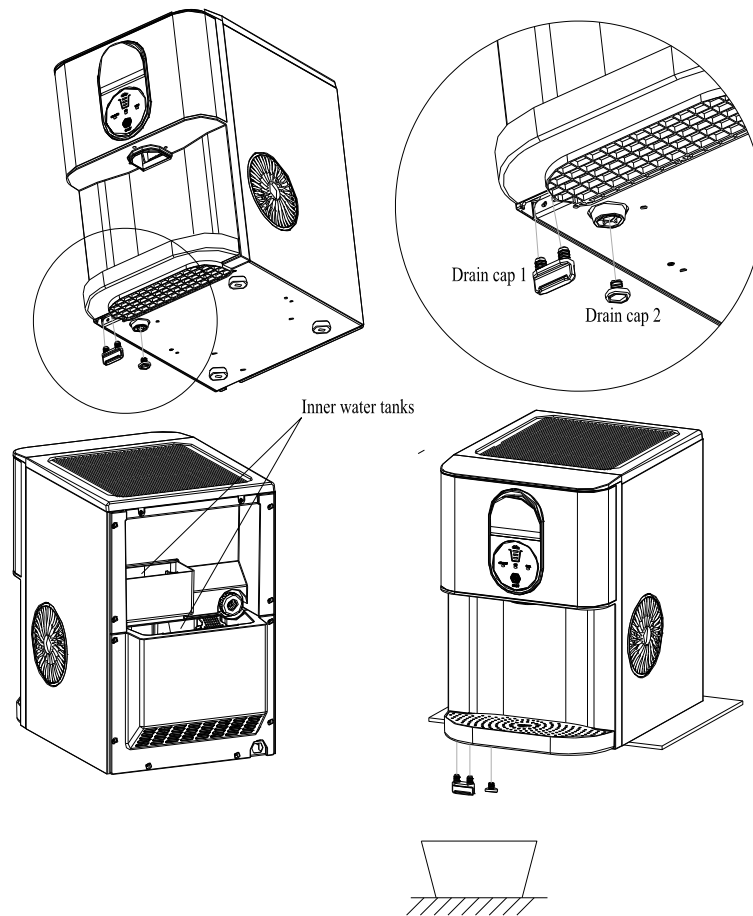
Prior to the machines first use, or if the cleaning procedure has not run for a while, it is highly recommended to run this procedure.

4. Before the cleaning procedure, **first unplug the water drain cap 1&2 to drain the water inside the unit completely. Then make sure the water drain caps have been inserted into the unit again.** Otherwise water inside the unit may overflow. Then fill the water reservoir with more than half of its capacity
5. Press "ON/OFF" button for 5 seconds, the "CLEAN" indicator will turn on. It will run the cleaning procedure for 10 minutes and automatically stop. Press this button again during cleaning and it will stop the cleaning mode immediately.

**TIPS: If the unit has not been used for a long time (more than one month) and has not been cleaned, or the unit doesn't work after a few months, add some vinegar, acetic acid into the water to remove scale before cleaning. After the cleaning procedure, wait for 30 minutes, allow the scale to dissolve fully, then drain the water inside the unit completely. Add water and run cleaning procedure again.**

6. After the cleaning procedure, move the back of the machine toward you remove the water reservoir and clean the water tank inside the unit with a brush or cloth. Then move the appliance to the edge of the counter top and make sure that the appliance is placed steadily. Place a water container under the appliance and remove drain cap from the bottom. Dirty water will drain into the water container. Reinsert the drain cap.





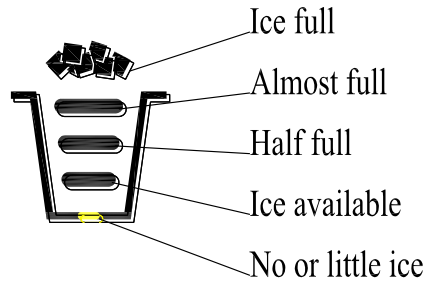
Change water in the water reservoir every 24 hours to ensure a reasonable hygiene level. If the unit isn't to be used for an extended period of time, drain all water and dry the water reservoir.

## HOW TO MAKE ICE

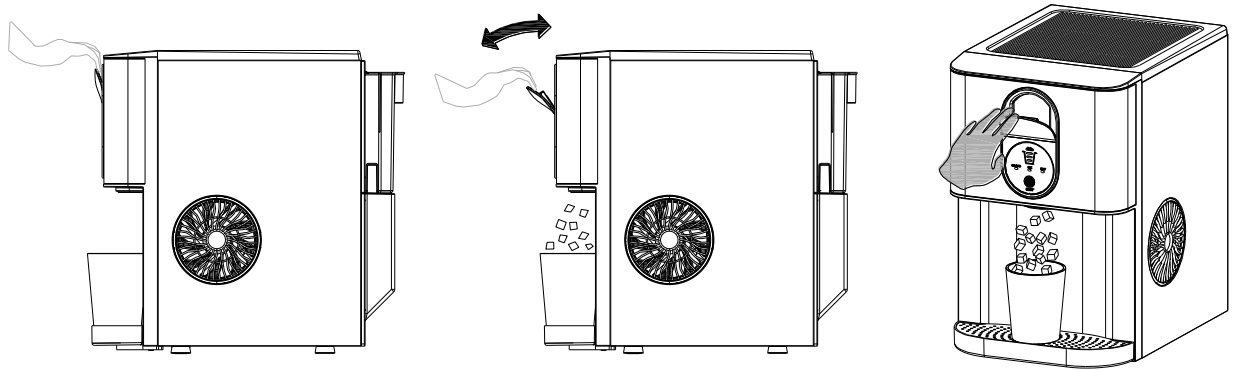
7. Before we start making ice, please make sure the water drain cap has been inserted into the appliance; otherwise it will not work properly.
8. Press "ON/OFF" button and the "ICE" indicator will turn on. If need be, press the "ON/OFF" button again and the machine will stop making ice mid procedure.

TIPS: For the first time, or if the appliance has not been used in a long time, it is recommended to clean this appliance before you start to make ice.

9. While the ice maker is on, verify water level periodically. If the water pump can't pump out water, the ice maker will stop automatically and the "Add water" indicator will turn on. Press the "ON/OFF" button first to stop the ice maker and pour water into the water reservoir. Then press the "ON/OFF" button again to continue making ice.



10. The approximate amount of ice will be displayed on the control panel. The ice maker automatically stops making ice when the ice cube tray is full inside - the "ice full" indicator will turn on (as shown in the figure above).
11. You can enjoy your ice cubes when the control panel shows "Ice available", "Half full", "Almost full" or "Ice full". Pull and hold the lever on the control panel and nugget ice will drop from the ice outlet.



TIPS: 1. Please take out all the ice cubes inside the unit before you shutdown to prevent water that may overflow due to the ice melting.

2. Excess water in the internal water tank will overflow to the drip tray. If there is too much water in the drip tray, unplug the water drain cap 2 to drain the water inside the unit.

## TROUBLESHOOTING

PROBLEM	POSSIBLE CAUSE	SOLUTION
<b>“Add Water”</b> indicator lights up	Lack of Water.	Press “ON/OFF” button to stop the ice maker, fill water, and press “ON/OFF” button again to restart the unit.
<b>“Ice Full”</b> indicator lights up or flash	There is too much ice.	Suggest you to obtain the ice-cube.
	(No ice cube inside).	Verify by a qualified technician.
<b>“ Ice”</b> indicator lights flash	The system is attempting to resolve its issue	It will automatically resume work. When this problem occurs frequently, please clean the machine carefully.
<b>“ Ice”</b> indicator lights flash and button turn red	Ambient temperature or water temperature in inner tank is too high.	Please run the ice maker below 90 Fahrenheit degree ambient and pour colder water into tank.
	Refrigerant liquid leakage.	Press the ICE button twice, restart ice making program, if this problem show up again, verify by a qualified technician.
	Cover motor is broken	
	Pipe in the cooling system is blocked.	
<b>“ Ice” &amp; “ Add Water”</b> indicator lights flash and button turn red	Water pump or float switch or water valve doesn't work	Verify by a qualified technician.
Making Ice too slowly	Hot Air outlet has been blocked by something.	Hot Air outlet must be guaranteed to have more than 15 CM of ventilation distance.
	Water temperature in inner tank is too high.	Water temperature requirement between 44F-89.6F.
	Refrigeration system malfunctions.	Verify by a qualified technician.
Water leakage	Drain plug not in place	Put the drain plug in place.
	Pipe Joint in the appliance may Loose	Verify by a qualified technician.
	The seal has reached service life	Verify by a qualified technician.

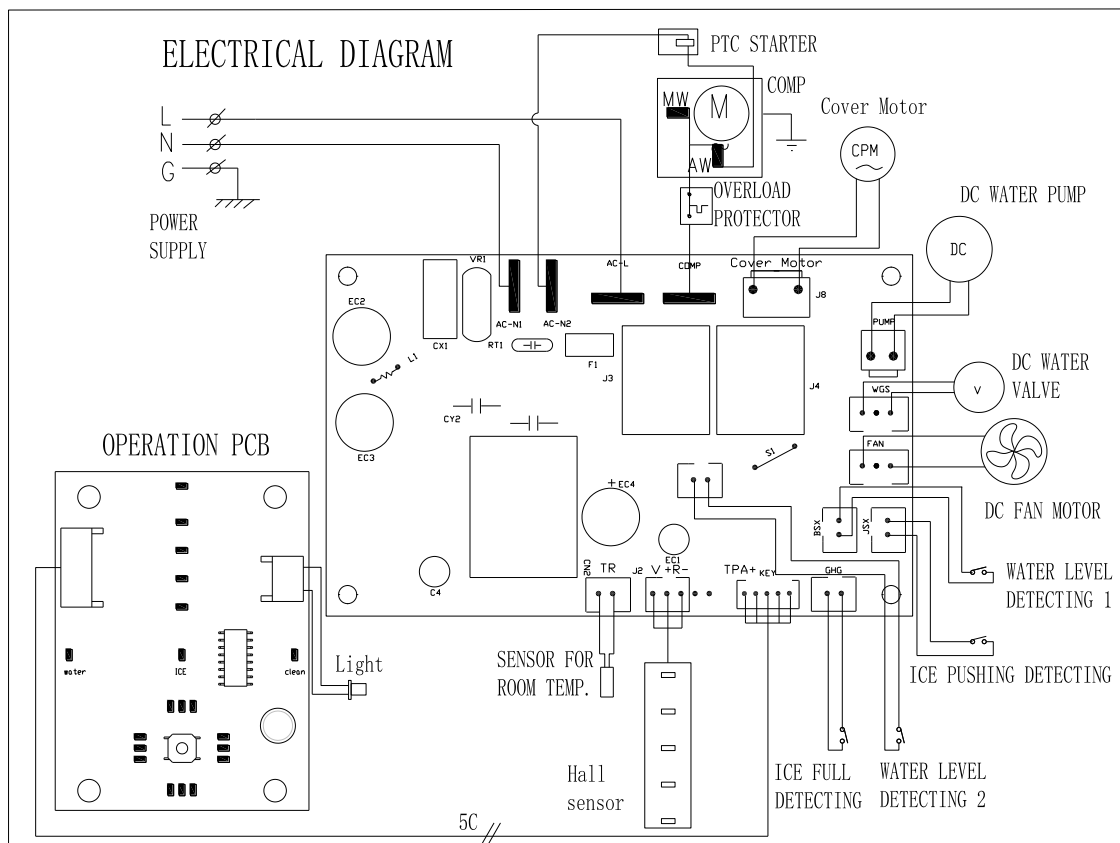
# TECHNICAL PARAMETERS & CIRCUIT

## TECHNICAL PARAMETERS

Model	DGADIMN01
Protection Type	I
Power	115V/60Hz
Ice Making Current	2.7A
Refrigerant	R600a / 28g
Vesicant	C <sub>5</sub> H <sub>10</sub>
Net Weight	35.3lb
Dimension	10.6 x 16.9 x 16.3 in



## CIRCUIT DIAGRAM



## ***Disposal and Warranty Information***

### **Disposal**

When the unit is not to be used again, disposal of this unit's material shall be in accordance with national regulations.

### **Warranty Information**

The manufacturer provides warranty in accordance with the legislation of the customer's own country of residence, with a minimum of 1 year, starting from the date on which the appliance is sold to the end user.

The warranty only covers defects in material or workmanship.

The repairs under warranty may only be carried out by an authorized service technician. When making a claim under the warranty, the original bill of purchase (with purchase date) must be submitted.

The warranty will not apply in cases of:

- Normal wear and tear
- Incorrect use, e.g. overloading of the appliance, use of non-approved accessories
- Use of force, damage caused by external influences
- Damage caused by non-observance of the user manual, e.g. connection to an unsuitable mains supply or non-compliance with the installation instructions
- Partially or completely dismantled appliances



## Manufacturer's 1-Year Limited Warranty

The manufacturer warrants that all parts and components are defect free in materials and workmanship for 1 year. This warranty is valid only in accordance with the conditions set forth below:

1. The warranty extends only to the original consumer purchaser and is not transferable. In addition, proof of purchase must be demonstrated.
2. This limited warranty is the only written or express warranty given by the manufacturer. Any implied warranty of merchantability or fitness for a particular purpose on this product is limited in duration to the duration of this warranty. Some states do not allow limitations on how long an implied warranty lasts, so the above limitation may not apply to you.
3. This warranty gives you specific legal rights. You may also have other rights which vary by state

### **Procedure for Replacement or Return within the 1 Year:**

To return the product for replacement or refund within the 1 year, the original purchaser must pack the product securely and send it postage paid with a description of the reason for replacement or refund, proof of purchase, and include your order number on the package, to the following address:

Deco Chef  
80 Carter Drive  
Edison, NJ 08817

#### **Other contact info**

Phone: 844-413-2646  
Customer Service Email: [customerservice@decogear.com](mailto:customerservice@decogear.com)