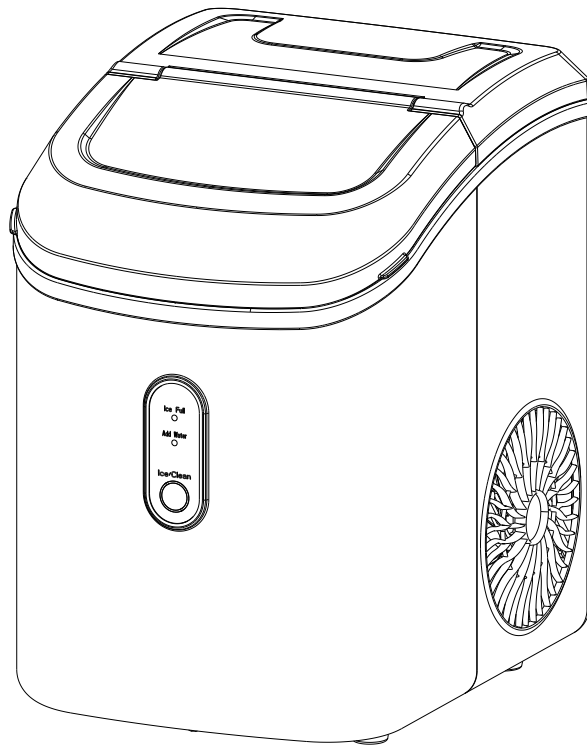




USER MANUAL

33lb Nugget Ice Maker

DG26NIMSTS-RED



IMPORTANT: read these instructions before using your portable ice maker. We strongly recommend that you keep them in a safe place for future reference.

TABLE OF CONTENTS

IMPORTANT SAFETY INSTRUCTIONS	1
PREPARING YOUR ICE MAKER FOR USE	
IMPORTANT SAFETY TIPS.....	2-3
GETTING TO KNOW YOUR UNIT	4
OPERATING PROCEDURES & MAINTENANCE	5
USING YOUR ICE MAKER	6-7
TROUBLESHOOTING	8
TECHNICAL PARAMETERS & CIRCUIT DIAGRAM	9
TECHNICAL PARAMETERS	9
CIRCUIT DIAGRAM	9

IMPORTANT SAFETY INSTRUCTIONS

Your safety and the safety of others are very important.

We have provided many important safety messages in this manual for your appliance.

Always read and obey all safety messages.

This is the safety alert symbol:



All safety messages will follow the safety alert symbol and the word “DANGER” or “WARNING”.



These words mean:

You can be killed or seriously injured if you don't immediately follow instructions.

All safety messages will tell you what the potential hazard is, how to reduce the chance of injury, and inform what can happen if the instructions are not followed.

PREPARING YOUR ICE MAKER FOR USE

IMPORTANT SAFETY TIPS

When using electrical appliances, basic safety precautions should be followed to reduce the risk of fire, electric shock, and injury to persons or property. Read all instructions before using any appliance.

- Do not operate this, or any other appliance with a damaged cord.
If the supply cord is damaged, it must be replaced by the manufacturer or its service agent or a similarly qualified person in order to avoid a hazard.
This ice-maker must be positioned so that the plug is accessible.
Connect to properly grounded outlets only. No other appliance should be plugged into the same outlet. Be sure that the plug is fully inserted into the receptacle.
- Do not run the power cord over carpeting or other heat insulators. Do not cover the cord. Keep cord away from traffic areas, and do not submerge in water.
- We do not recommend the use of an extension cord, as it may overheat and become a fire risk. If you must use an extension cord, use No.14AWG minimum size and rated no less than 1875 watts.
- Unplug the ice maker before cleaning, making any repairs, or servicing.
- Exercise caution and use reasonable supervision when appliance is used near children.
- Do not use your ice-maker outdoors. Place the ice-maker away from direct sunlight and make sure that there is at least 6 inches of space between the back of your unit and wall. Keep a minimum distance of 6 inches on each side of your unit free.
- Do not use any liquids other than water to make ice cubes.
- Do not clean your ice maker with flammable fluids. The fumes can create a fire hazard or explosion.
- Do not tip over.
- If the ice maker is brought in from the outside during winter, give it a few hours to warm up to room temperature before plugging it in.

WARNING: This appliance must be grounded.

- **DANGER – Risk Of Fire or Explosion. Flammable Refrigerant Used. Do Not Use Mechanical Devices To Defrost Ice Maker. Do Not Puncture Refrigerant Tubing.**



- **DANGER** – Risk Of Fire Or Explosion. Flammable Refrigerant Used. To Be Repaired Only By Trained Service Personnel. Do Not Puncture Refrigerant Tubing.
- **CAUTION** – Risk Of Fire Or Explosion. Flammable Refrigerant Used. Consult Repair Manual/Owner’s Guide Before Attempting To Install or Service This Product. All Safety Precautions Must be Followed.
- **CAUTION** – Risk Of Fire Or Explosion. Dispose Of Property In Accordance With Federal Or Local Regulations. Flammable Refrigerant Used .
- **CAUTION** – Risk Of Fire Or Explosion Due To Puncture Of Refrigerant Tubing; Follow Handling Instructions Carefully. Flammable Refrigerant Used.
- The ice maker should be installed in accordance with the safety standard for Refrigeration Systems, ASHRAE15. The ice maker shall not be installed in corridors or hallways of public buildings.
- If the unit has an issue and needs to be maintained, that replacing with like components and that servicing shall be done by factory authorized service personnel, so as to minimize the risk of possible ignition due to incorrect parts or improper service.

IMPORTANT:

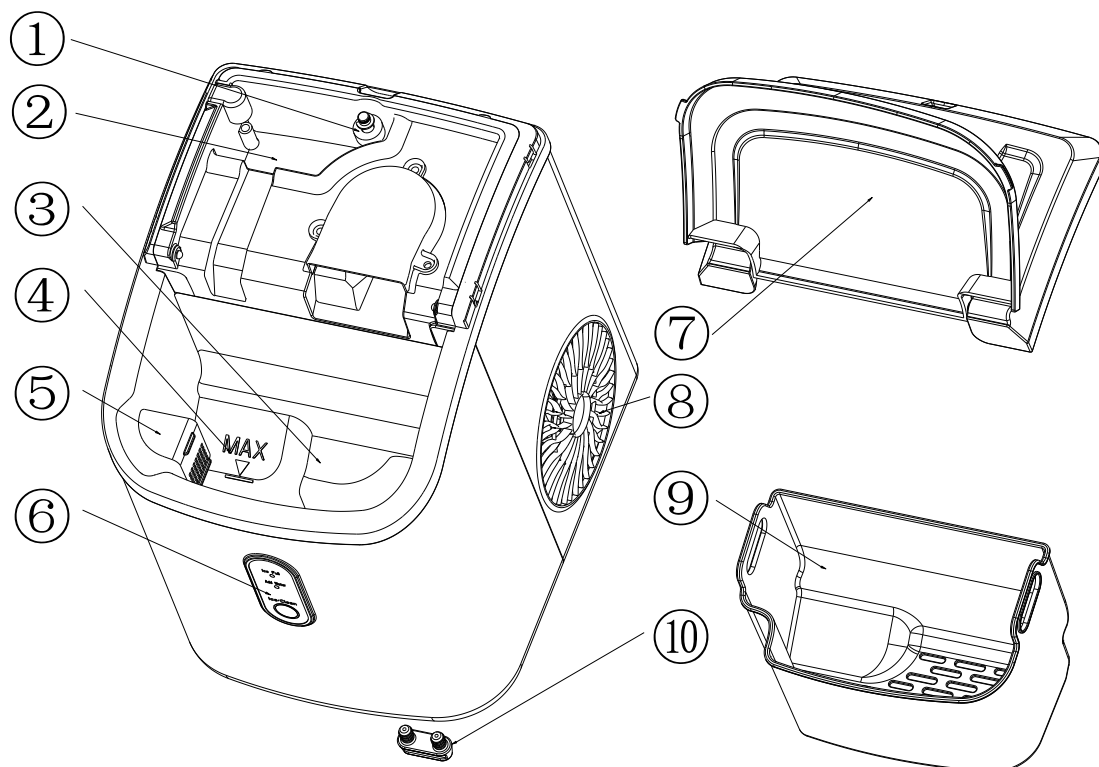
The wires in the main lead are colored in accordance with the following code:

Green or Green with a yellow stripe:	Grounding
White:	Neutral
Black:	Live

To avoid a hazard due to instability of the appliance, it must be placed at a even or flat surface.

GETTING TO KNOW YOUR UNIT

1. Float switch
2. Secondary water reservoir: It connects directly with the evaporator
3. Water reservoir
4. MAXIMUM WATER LEVEL
5. Filter
6. Control Panel
 - A. Ice making and cleaning buttons
 - B. Ring indicator light
 - C. Water lack indicator light
 - D. Ice full indicator light
7. Top cover, removable from the top
8. Hot Air outlet
9. Ice basket
10. Water drain cap: at front bottom side of the unit



OPERATING PROCEDURES & MAINTENANCE

1. Remove the exterior and interior packaging, and then check that all the accessories are included. If any parts are missing, please contact our customer service.
2. Remove all tape on the unit; take out the accessory parts inside.
3. Clean the interior with lukewarm water and a soft cloth.
4. Place your ice maker on a level counter table far from direct sunlight and other sources of heat (i.e. stove, furnace, and radiator). Make sure that there is at least 6 inches between the back and sides of your ice maker with the wall.
5. **Allow one hour for the refrigerant fluid to settle down before plugging your ice maker in.**
6. The power plug must be accessible directly.

WARNING: fill with potable water only. Only use drinking water.



DANGER

***Improper use of the grounded plug can result in the risk of electrical shock. If the power cord is damaged, please call our customer service.**

1. This unit should be properly grounded for your safety. The power cord of this appliance is equipped with a grounding plug which connects with standard grounding wall outlets to minimize the possibility of electric shock.
2. Plug your appliance into an exclusive, properly installed, grounding wall outlet. Do not under any circumstances; damage the grounding means of the plug. Any questions concerning power and/or grounding should be directed toward a certified electrician.
3. This appliance requires a standard 110-120Volt, 60Hz electrical outlet with good grounding means.

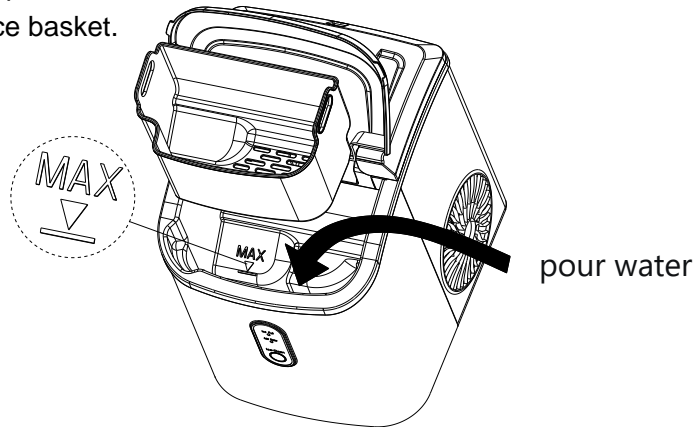
Before using your ice maker, it is strongly recommended to clean it thoroughly. Unplug the unit before cleaning or conducting any maintenance.

1. Take out the ice basket.
2. Clean the interior with diluted detergent, warm water and a soft cloth.
3. Then use the water to rinse inside walls and parts. Drain out the water by unplugging the drain cap on lower front side.
4. The outside of the ice maker should be cleaned regularly with a mild detergent solution and warm water.
5. Dry the interior and exterior with a clean soft cloth.
6. When not using the machine for a long time, drain water completely and dry the interior.

USING YOUR ICE MAKER

How to start the unit

1. Take out the ice basket, pour potable water into water reservoir. 0.3 gallon water at most at one time. DO NOT pass the max fill line.
2. Put back the ice basket.

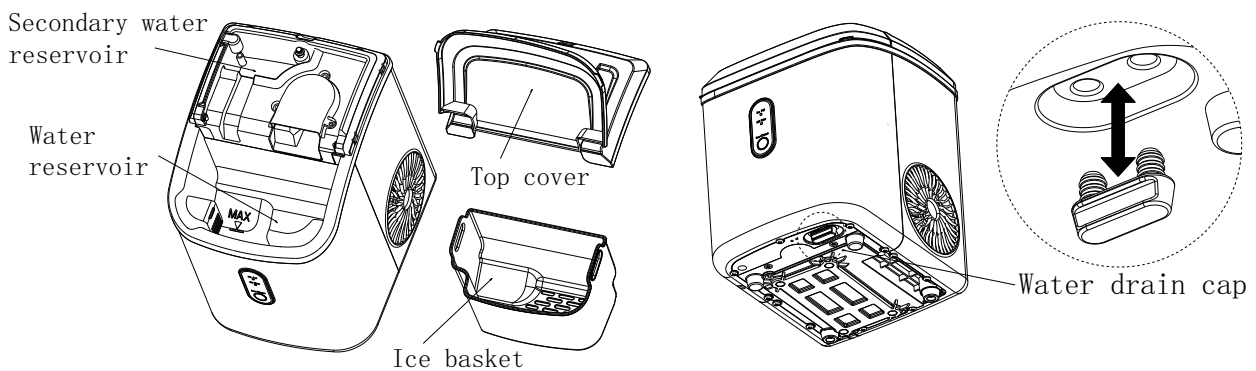


3. Plug in and the ring indicator will light up. If you press the "ice making/cleaning" button, the machine will start making ice. Long press the "Ice Making/Cleaning" button to perform automatic cleaning.

CLEANING

For the first time, or if the cleaning procedure has not run for a long time, it is highly recommended to run this procedure before the first use.

3. Before cleaning procedure, please make sure the water drain cap has been inserted into the appliance. Otherwise it will not work properly.
4. Press "ICE/CLEAN" button for 5 seconds, ring indicator light will turn blue (if the machine is short of water, the ring indicator light turns white), it will run the cleaning procedure for 15 minutes and automatically stop. Press this button again during the cleaning procedure, it will stop immediately.
5. After the cleaning procedure, remove the top cover and the ice basket, rinse the main water reservoir and the secondary water reservoir, then move the appliance to the edge of the counter top. Make sure that the appliance is placed securely, place a water container under the appliance, remove drain cap from the bottom, dirty water will drain into the water container, then reinsert the drain cap.



Change water in the water reservoir every 24 hours to ensure a reasonable hygiene level. If the unit isn't to be used, drain all water & dry the water reservoir.

HOW TO MAKE ICE CUBES

6. Before you start making ice, please make sure the water drain cap has been inserted into the appliance; otherwise it will not work properly.
7. Press the "ICE/CLEAN" button, the ring indicator light will flash between blue and white. The machine will begin to run. Press this button again and it will stop making ice.
8. For the first time, or if the appliance has not been used for a long time, it is recommended to clean this appliance before you start to make ice.
9. In the process of making ice, if the "low water" indicator light is on and the ring indicator light turns white, or the machine stops working, it need more water. After adding water, please restart the machine. Otherwise, wait for a period of time and it will automatically start making ice again. When the ice making machine is restarted the compressor will have a waiting time of 3 minutes.
10. When the machine is full of ice, it will automatically stop working. The "ice full" indicator light will be on and the ring indicator light will be white. After the ice is removed, the machine will start working automatically.

TROUBLESHOOTING

PROBLEM	POSSIBLE CAUSE	SOLUTION
"Low water" indicator turns on	Lack of water.	Stop the ice maker, fill water, and press "ICE/CLEAN" button again to restart the unit.
"ICE FULL" indicator turns on	There is too much ice.	Suggest you to obtain the ice-cube.
	No ice cube inside.	Remove the probable obstacle inside or clean the inside wall of the ice storage
Ring indicator light flashes	Ambient temperature or water temperature in inner tank is too high.	Please run the ice maker below 90 Fahrenheit degree ambient and pour colder water into tank.
	Refrigerant liquid leakage.	Press the ICE button twice, restart ice making program, if this problem show up again, verify by a qualified technician.
	Cover motor is broken	
	Pipe in the cooling system is blocked.	
Making Ice too slowly	Hot Air outlet has been blocked by something.	Hot Air outlet must be guaranteed to have more than 15 CM of ventilation distance.
	Water temperature in inner tank is too high.	Water temperature requirement between 44F-89.6F.
	Refrigeration system malfunctions.	Verify by a qualified technician.
Water leakage	Drain plug not in place	Put the drain plug in place.
	Pipe Joint in the appliance may Loose	Verify by a qualified technician.
	The seal has reached service life	Verify by a qualified technician.

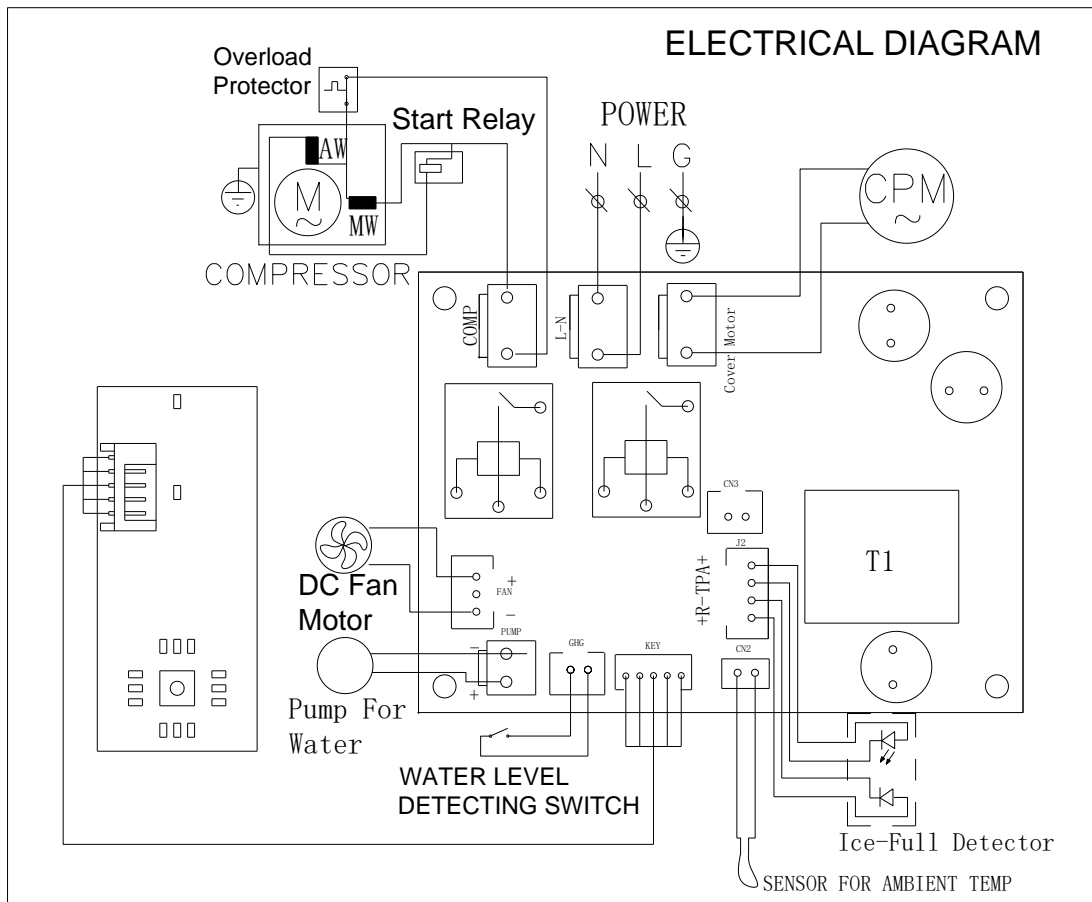
TECHNICAL PARAMETERS & CIRCUIT DIAGRAM

TECHNICAL PARAMETERS

Model	DG26NIMSTS/RED
Protection Type	I
Power	115V/60Hz
Ice Making Current	2.5A
Refrigerant	R600a / 20g
Vesicant	C ₅ H ₁₀
Net Weight	29.8lb
Dimension	11.3x 8.7 x 12.7 in



CIRCUIT DIAGRAM





Manufacturer's 1-Year Limited Warranty

The manufacturer warrants that all parts and components are defect free in materials and workmanship for 1 year. This warranty is valid only in accordance with the conditions set forth below:

1. The warranty extends only to the original consumer purchaser and is not transferable. In addition, proof of purchase must be demonstrated.
2. This limited warranty is the only written or express warranty given by the manufacturer. Any implied warranty of merchantability or fitness for a particular purpose on this product is limited in duration to the duration of this warranty. Some states do not allow limitations on how long an implied warranty lasts, so the above limitation may not apply to you.
3. This warranty gives you specific legal rights. You may also have other rights which vary by state

Procedure for Replacement or Return within the 1 Year:

To return the product for replacement or refund within the 1 year, the original purchaser must pack the product securely and send it postage paid with a description of the reason for replacement or refund, proof of purchase, and include your order number on the package, to the following address:

Deco Chef
80 Carter Drive
Edison, NJ 08817

Other contact info

Phone: 844-413-2646

Customer Service Email: customerservice@decogear.com