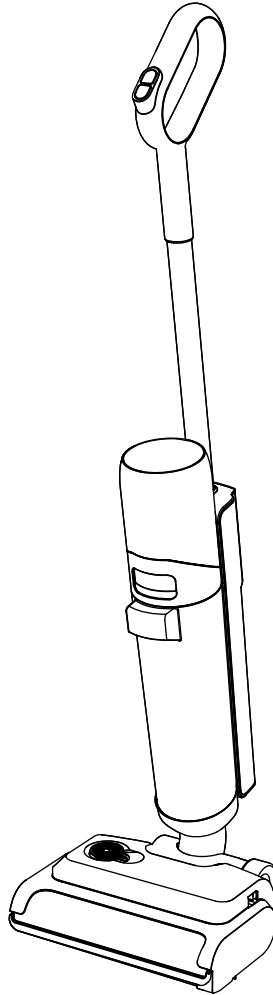


decohome   <sup>TM</sup>



Cordless Wet/Dry Hard Floor Vacuum

# INSTRUCTION MANUAL

DGWDV01



# CONTENTS

Safety Warning-----	01
Product Overview-----	04
Product Assembly and Disassembling-----	06
Product Operation-----	09
Product Maintenance-----	11
Troubleshooting-----	16



# SAFETY WARNING

---

Before using this product, please read all the contents of this manual carefully and install the machine according to the steps in this manual.

- This product is only suitable for normal home environment, not suitable for industrial or outdoor use.
- This product is not intended for use by persons with physical, sensory or intellectual disabilities or lacking experience and common sense (including children) unless there is supervision or instructions to ensure their safe use.
- When charging, please use the product-specific charger provided by us; other types of chargers will cause battery failure or extreme thermal effect.
- Warning: do not touch the rotating parts. Clean up any (hair, fuzz, etc.) that may block the brushes and wheels.
- This unit contains non-replaceable batteries. Do not disassemble at will without permission to avoid danger.
- Do not touch the plug or any live part of the product with wet hands to avoid risk of electric shock.
- If the charger or plug is damaged, please stop using it. Please contact the service personnel for replacement to avoid injury.
- Please keep the air passages and moving parts of the product away from long hair, loose clothing, fingers and other body parts. Do not place the hose, nozzle or tool near your eyes or ears, or put it in your mouth.

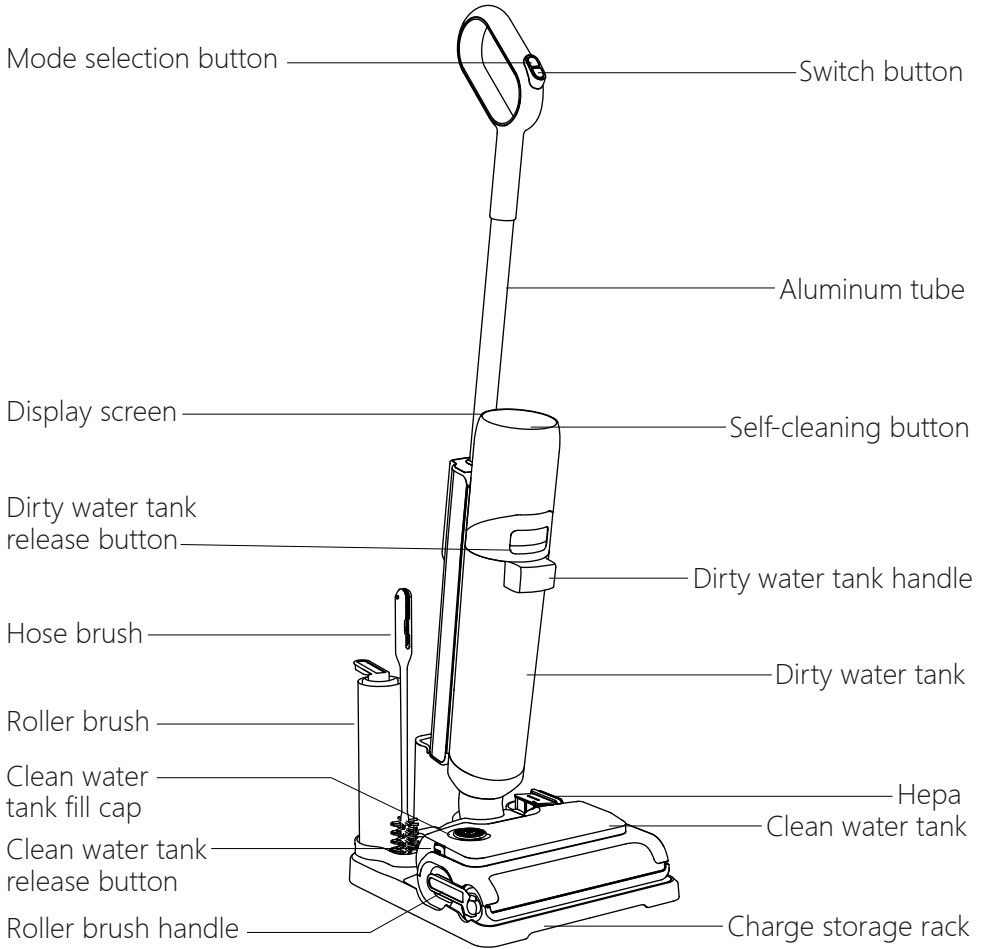
- When using, if you find that there is a leak or the temperature of the motor is too high and there is an abnormal noise, such as body overheating, abnormal noise, smell, weak suction, etc., please stop using it immediately and contact the after-sales personnel.
- When not in use for a long time, turn off the unit and unplug the charging plug.
- After using the machine, please clean the sewage bucket in time, keep the ventilation channel clear, avoid blockage caused by inhaling droplets and avoid heating the motor, which will affect the service life.
- After using the machine, please keep it in a dry place. Wet places can affect the insulation and longevity of electrical appliances.
- There is a circuit inside the scrubber body and brush head, and the user can't dip it in water, otherwise it will cause electrical failure.
- Please check the nozzle regularly for blockage. If there is a blockage, please remove it in time, so as not to cause the blockage to reduce the suction and affect the performance of the machine.
- Before replacing the rotary brush, please make sure to turn off the power.
- This product is only suitable for hard floors in indoor environments. If used on uneven surfaces, the best results may not be achieved.
- Do not use it near or on the surface of flammable and explosive materials, which may cause a fire and explosion hazard.
- Do not use near working fireplaces and heaters to avoid deformation of the housing.

- Do not suck in high-temperature substances (unlit cigarette butts, hot matches or ashes, etc.), ultra-fine substances (such as lime, cement, wood chips, gypsum powder, ash, charcoal powder, etc.), hazardous substances (such as solvents, detergents, etc.), chemical substances (such as acidic substances, detergents, etc.) and other substances with uncertain physical properties.
- Do not vacuum sharp objects with this unit, such as glass fragments, small toys, pins, paper clips, stones, plaster, etc. These objects can cause blockages and damage the machine.
- Shoe polish, paint, pigments and other stains with strong grease, high viscosity or strong coloring are not within the scope of cleaning this product.

# PRODUCT OVERVIEW

---

## 1. Product overview



Adapter



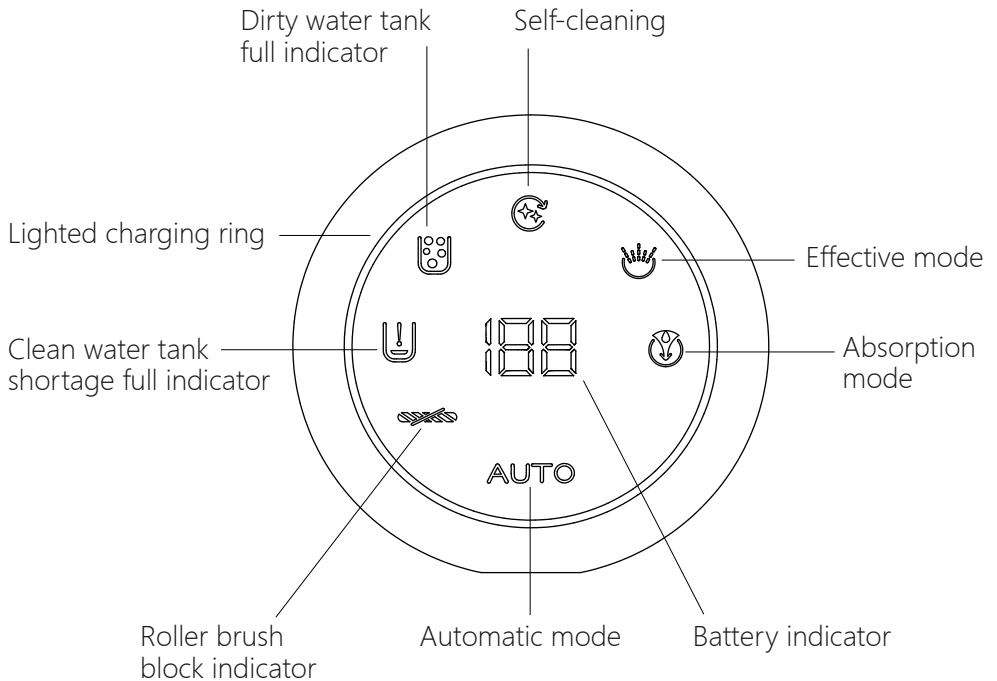
Measuring cup



Cleaning cloth



## 2. Display



Note:

1. Self-cleaning function: It can only be activated when the charging base is charged.

2. Mode selection: The default automatic mode is activated. Press the mode switch button to select automatic mode/efficient mode/water absorption mode.

When the floor is dirty, you can choose the efficient mode, which has higher suction and water flow.

When there is a lot of liquid on the floor, the water absorption mode can be switched, the suction is the biggest and the water is stopped.

### 3. Fault indication :

When the dirty tank is full, the dirty tank full indicator will light up and broadcast the voice, then the host will stop. Return to normal after discharging the dirty water.

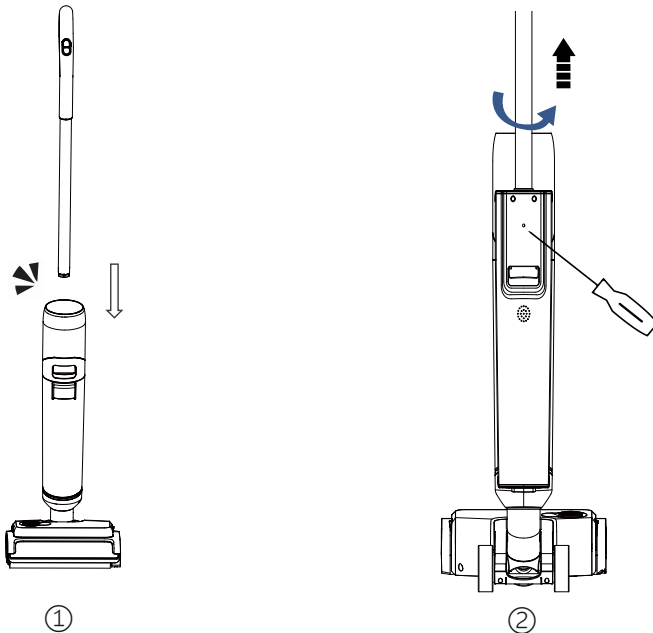
When the clean water tank runs out of water, the clean water tank low water indicator will light up and play the voice. Return to normal after adding water.

When the roller brush is tangled with foreign matter or stuck, the roller brush block light will light up and play the voice at the same time, then the host will stop. After cleaning the foreign matter, restart the machine and return to normal.

## PRODUCT INSTALLMENT AND DISASSEMBLING

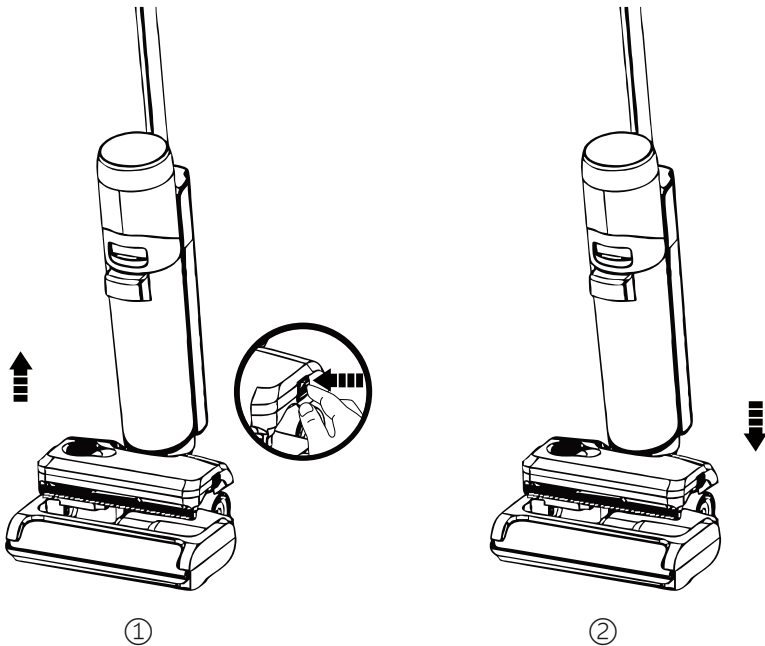
---

### 1. Installation and disassembling of the handle.



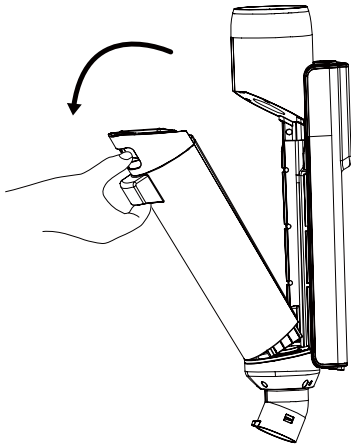
- ① Insert the end of the handle into the host port in the vertical direction, hear a click and the handle is tight and not loose, that is, the installation is successful.
- ② Insert a small screwdriver or other object into the handle removal hole and pull the handle up at the same time.

## 2. Installing and uninstalling the clean water tank.

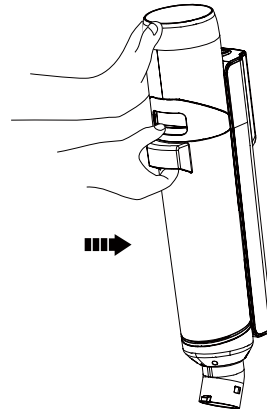


- ① Put the body straight, press the clean water tank release button with both hands at the same time and pull up to remove the water tank.
- ② Place the bottom of the clean water tank into the opening of the floor brush, press the clean water tank and the installation is successful when you hear a click.

### 3.Installation and uninstallation of dirty water tank.



①

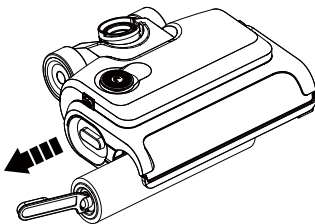


②

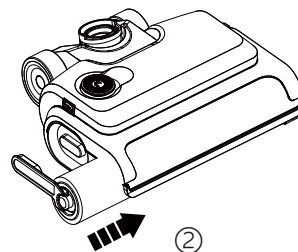
① Press the release button of the dirty water tank and pull it to remove the dirty water tank.

② Place the bottom of the dirty water tank in the support position of the fuselage opening, push the dirty water tank slightly and hear a click, that is, the installation is successful.

### 4.disassembling the roller brush



①



②

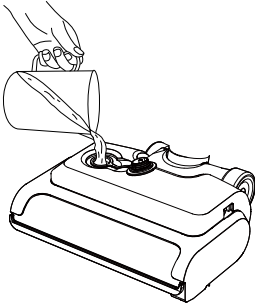
① Pull the handle of the roller brush and remove the roller brush.

② Push the roller brush to the inside of the roller brush groove to make sure the roller brush is installed in the groove, then finally install the roller brush handle to the locked position, that is, the installation is successful.

# PRODUCT OPERATION

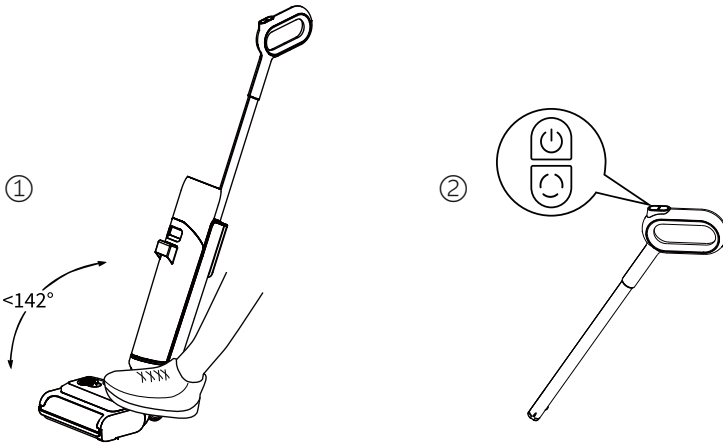
---

## 1. Add water to the clean water tank



Open the filler cap of the clean water tank, fill the water with the measuring cup, then close the soft cap.

## 2. On/off/mode selection

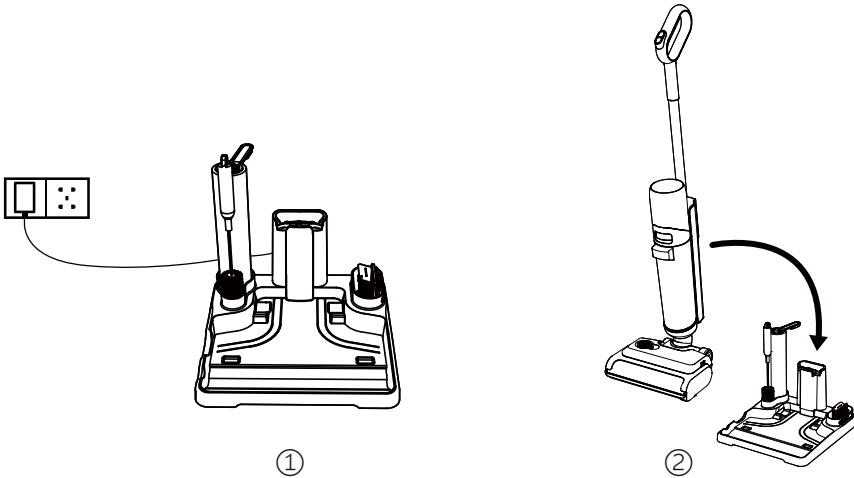


① Stand on the top of the clean water tank with your feet, and at the same time press the handle with your hand to adjust to a comfortable position for your arm.

② Power on: in the off state, briefly press the switch button to turn on ;  
Power off: in the power on state, press the switch button briefly to power off (3-5s delay).

Mode selection: in power on state, click the mode button to select the appropriate mode.

### 3. Product charging

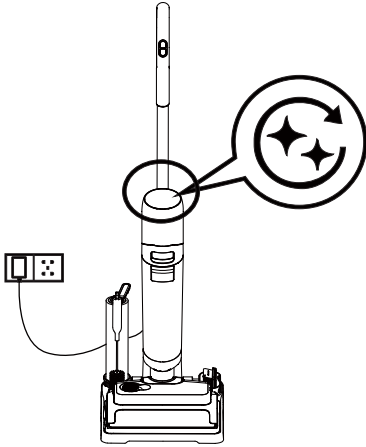


- ①When using for the first time, connect the charging port of the adapter to the charging base port, place the charging base against the wall and connect the plug to the power supply.
- ②Place the machine vertically on the charging base, make sure the charging pole and charging base are in good contact, the display light is on, the voice is broadcasting and the charging starts.

# PRODUCT MAINTENANCE

---

## 1. Self-cleaning



\*Self-cleaning can only be performed when the machine is charged and the water level in the clean water tank is sufficient.

- ①After use, please return the machine to the base in time.
- ②Click the self-cleaning button on the screen to start self-cleaning.  
(It is recommended to perform self-cleaning after each use).

## 2.Maintenance of the dirty water tank

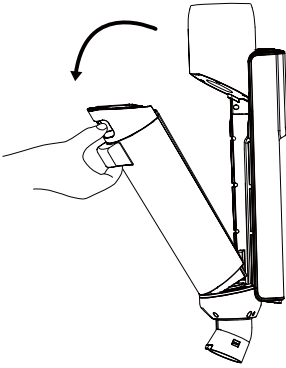


Fig.1

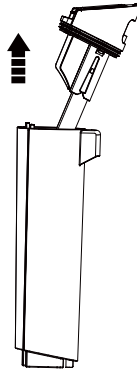


Fig.2

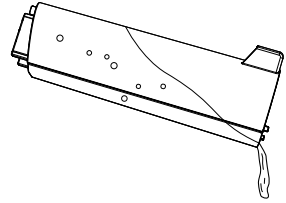
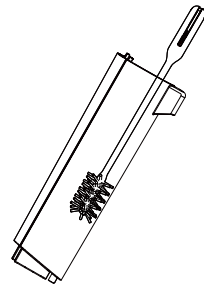
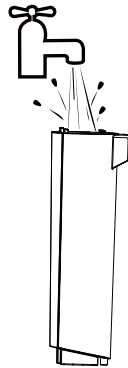
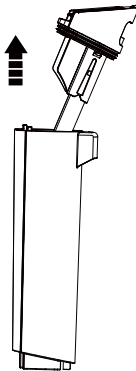


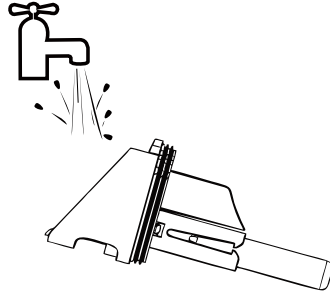
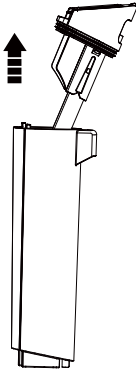
Fig.3

- ①Dump the dirty water (It is recommended to clean it after each use).
- Press the dirty tank release button and pull outwards to remove the dirty tank.(Fig.1)
  - Separate the dirty tank cover and the dirty tank upwards.(Fig.2)
  - Pouring the dirty.(Fig.3)



- ②Clean the dirty tank (recommended once a week)
- Separate the dirty tank cover and dirty tank, rinse with clean water or use a hose brush to clean the inner wall and bottom.





③ Clean the top cover (recommended once a week).

- Separate the top cover from the dirty tank and the dirty tank up and rinse the top cover with clean water.

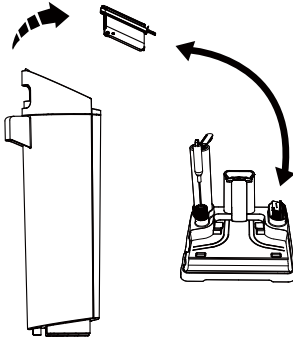


Fig.1

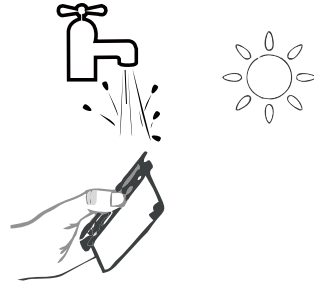
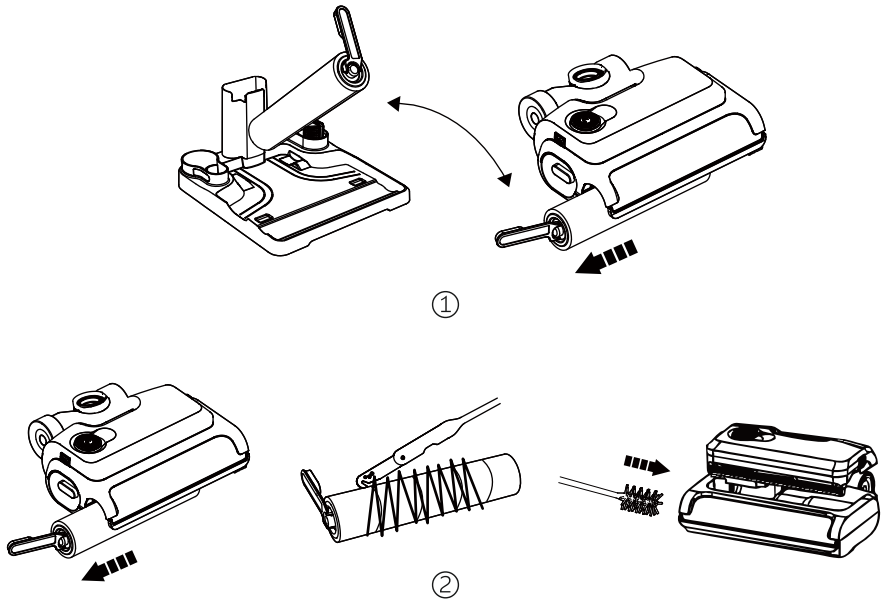


Fig.2

④ Hepa maintenance (recommended once every two weeks)

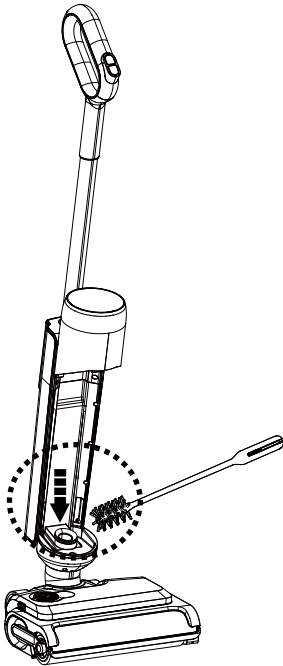
- Take out the used hypa and replace it with a dry hypa to ensure good performance (every time you use it).(Fig.1)
- Rinse the used hypa with water, then dry it.(recommended to clean every two weeks).(Fig.2)

### 3.Cleaning the roller brush

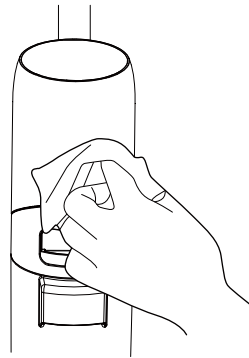


- ① After self-cleaning, remove the used roller brush and replace it with a dry roller brush. ((It is recommended to clean it after each use).
- ② Remove the roller brush first, then use a utility knife to clean the bristles of the roller brush.
- Use the hose brush to penetrate deep into the groove of the roller brush to clean the dirt on the upper surface of the groove to ensure the best condition of the machine.(recommended to clean every two weeks).

## 4. Pipe cleaning and machine maintenance (Recommended once a month)



①



②

- ① When the pipe is clogged, remove the dirty water tank first, then use the pipe brush to clean the pipe.
- ② Wipe the outer surface of the machine body with a dry rag to keep it clean.

# TROUBLESHOOTING

Problem	Possible cause	Solution
The floor washer does not work	Battery low or died.	Please fully charge the product before you use it.
	Roller brush is wrapped.	Clean up the roller brush.
Product suction is weakened	Dirty water tank is full.	Drain dirty water in time.
	Pipe blockage	Use a cleaning brush to unclog the pipes.
	Filter is dirty.	Clean the filter in time.
	HEPA is dirty or missing.	Clean in time or use after HEPA installation.
The motor runs with an abnormal noise.	Dirty water tank is full.	Drain the dirty water in time.
	Pipe blockage	Use a cleaning brush to unclog the pipes.
There is no water to wash the floor.	There is no water in the clean water tank.	Add water to the clean water tank.
	The clean water tank has not been pushed in and installed correctly.	Reinstall the clean water tank properly.
	The water jet is clogged.	Clean the spout in time.

<b>Problem</b>	<b>Possible cause</b>	<b>Solution</b>
The air outlet of the product is leaking.	The float is not installed.	Install the float.
	HEPA not installed or not dried after use.	Install the HEPA or dry the HEPA before use.
The product cannot be charged.	Refill seat plug is not plugged in.	Use after inserting the plug into the charging stand.
	Machine is not fully seated in the charging base.	Please check that the machine is placed correctly.
	Poor contact with charging head and charging seat.	Cleaning the machine and the charging pole parts of the charging stand.
Turn it off immediately after turning it on.	Abnormal motor.	Restart after cleaning the pipes.
A sudden change in battery power when the machine is running.	The battery is abnormal.	Please perform more than 3 complete charge and discharge cycles for the product.



## Manufacturer's 1-Year Limited Warranty

The manufacturer warrants that all parts and components are defect free in materials and workmanship for 1 year. This warranty is valid only in accordance with the conditions set forth below:

1. The warranty extends only to the original consumer purchaser and is not transferable. In addition, proof of purchase must be demonstrated.
2. This limited warranty is the only written or express warranty given by the manufacturer. Any implied warranty of merchantability or fitness for a particular purpose on this product is limited in duration to the duration of this warranty. Some states do not allow limitations on how long an implied warranty lasts, so the above limitation may not apply to you.
3. This warranty gives you specific legal rights. You may also have other rights which vary by state

### Procedure for Replacement or Return within the 1 Year:

To return the product for replacement or refund within the 1 year, the original purchaser must pack the product securely and send it postage paid with a description of the reason for replacement or refund, proof of purchase, and include your order number on the package, to the following address:

Deco Home  
80 Carter Drive  
Edison, NJ 08817

#### Other contact info

Phone: 844-413-2646

Customer Service Email: [customerservice@decogear.com](mailto:customerservice@decogear.com)