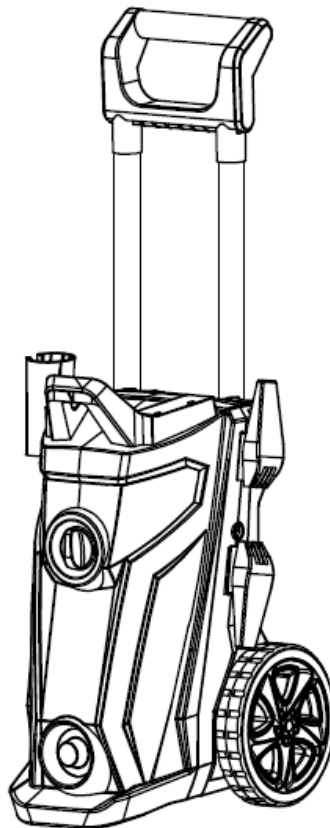




Instruction Manual

for DGPWSH100 High Pressure Washer



Read the instructions before using this machine.



Appropriate ear protection must be worn when machine is in use.



Wear safety glasses when you use this machine.

Dear Customer,

Thank you very much for purchasing our product.

This product is an integration of high technology and refined craftsmanship, featuring stable quality and excellent performance.

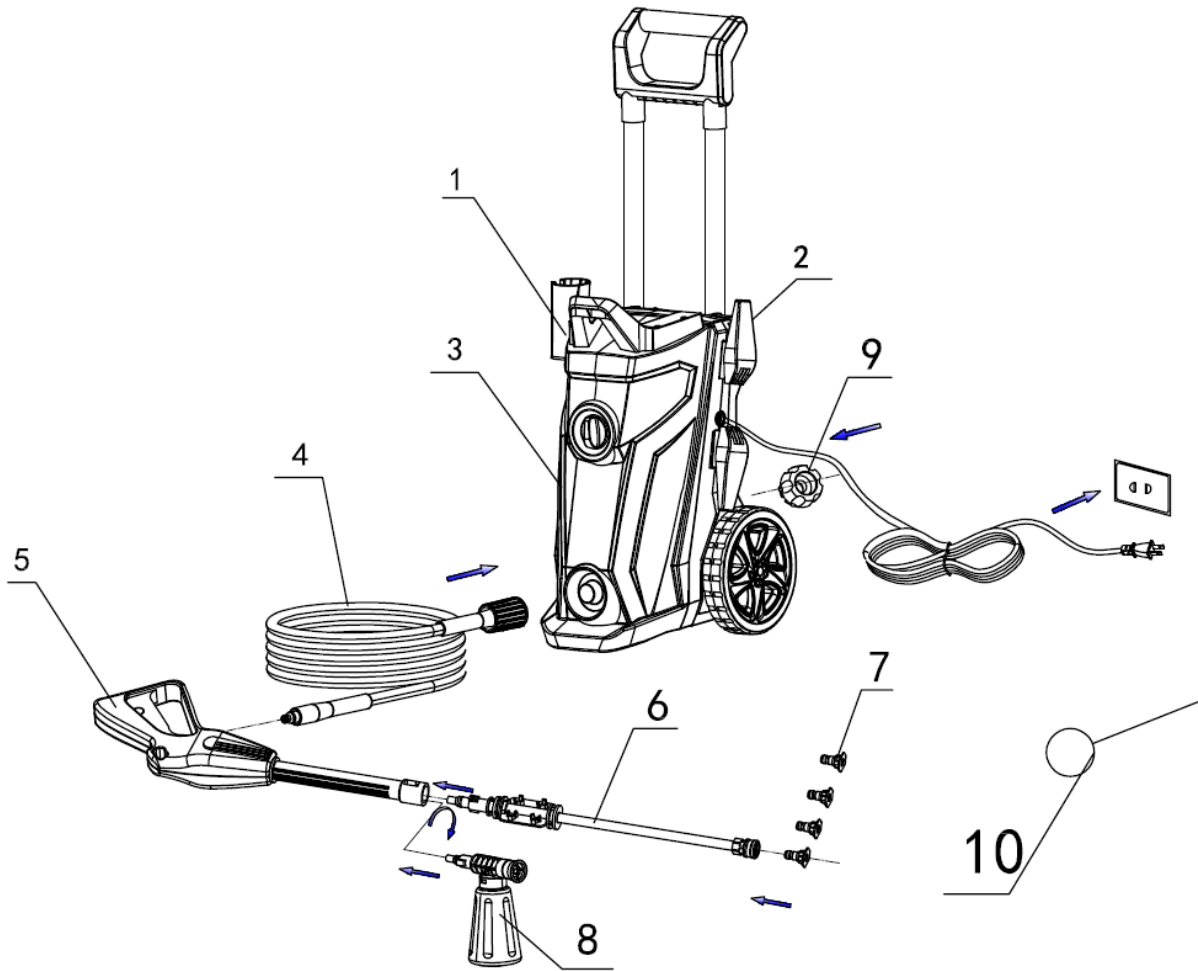
For your easy use please read this manual carefully before operation. Please follow the instruction accordingly. Given continuous product improvement, we reserve the right to change this product without notice.

This household pressure washer is a high-pressure washer, and could be used in the following cases:

1. Washing cars, motorcycles, electric power-driven cars and other motor vehicles.
2. Watering gardens, grass, or flowers.
3. Cleaning wall faces, windows, floors, baths, toilets, and corners that are difficult to be cleaned by hand.
4. Cleaning up hard to reach points on the surface of an object (e.g. blind spots, grooves etc.)

Part List

CL-1996AM



1. Gun Holder	6. Gun Lance with Nozzles Holder
2. Power Cord Holder	7. Spray Nozzles
3. Unit	8. Detergent or Foam bottle
4. High Pressure Water Outlet Hose	9. Water Inlet Connector
5. Gun Set	10. Needle

Safety Rules

Safety “Must Nots”

1. DO NOT use the appliance with inflammable or toxic liquids, or any products which are not compatible with the correct operation of the appliance. **EXPLOSION OR POISONING HAZARD**
2. DO NOT direct the water jet towards the unit itself, electrical parts or towards other electrical equipment. **ELECTRIC SHOCK HAZARD**
3. DO NOT direct the water jet towards people or animals. **INJURY HAZARD**
4. DO NOT touch the plug and/or socket with wet hands. **ELECTRIC SHOCK HAZARD**
5. DO NOT allow children or incompetent persons to use the appliance. **INJURY HAZARD**
6. DO NOT use the appliance outdoors during poor weather conditions such as rain or storms. **SHORT CIRCUIT HAZARD**
7. DO NOT use the appliance if the electrical cable is damaged. **ELECTRIC SHOCK AND SHORT CIRCUIT HAZARD**
8. DO NOT use the appliance if some important components like electrical cable, high pressure hose, gun and safety devices etc. are damaged. **EXPLOSION AND ELECTRIC SHOCK HAZARD**
9. DO NOT jam the trigger in the opening position. **ACCIDENT HAZARD**
10. Check the data plate attached to the appliance. If not available, please contact the dealer. Do Not use the appliance without data plate because safe usage is not guaranteed when the data plate is unable to be read for safety warnings.
11. DO NOT tamper with or adjust the setting of safety valve or the safety devices. **EXPLOSION HAZARD**
12. DO NOT alter the original diameter of the spray head nozzle and other operation setting.
13. Make sure that the high-pressure hose is unable to be pressed by car or other heavy objects or cut by sharp objects.
14. DO NOT move the appliance by pulling electrical cable. **SHORT CIRCUIT AND ELECTRIC SHOCK HAZARD**
15. DO NOT leave the appliance unattended. **ACCIDENT HAZARD**
16. DO NOT move the appliance by pulling high pressure hose. **EXPLOSION HAZARD**
17. When directed towards tires, tire valves or other pressurized components, the high-pressure jet is potentially dangerous. Do not use the rotating nozzle kit, and always keep the jet at a distance of at least 30 cm during cleaning. **EXPLOSION HAZARD**
18. DO NOT use this appliance to clean fragile objects. **DAMAGE HAZARD**
19. Check that the electrical supply voltage and frequency correspond to those specified on the appliance data plate.
20. The appliance should only be connected to a main power supply equipped with an adequate

ground connection.

21. DO NOT use the appliance after drinking alcohol, taking medicine or if in a tired state.
22. DO NOT direct the jet towards an unstable or weak wall to avoid damage and danger.
23. Use only extension electrical cable with waterproof plug and socket.
24. Connecting plug and electrical cable MUST be carried out by qualified staff.
25. DO NOT pull fiercely when discharging the plug.
26. Electrical cable should be far away from fire and sharp object.
27. Cut the power supply immediately in case of breakdown or stop and find out the reason before re-starting the appliance.
28. Be sure the appliance is placed on a dry surface.

Safety “Musts”

1. All electrical conductors **MUST BE PROTECTED** against the water jet. **SHORT CIRCUIT HAZARD**
2. The appliance **MUST ONLY BE CONNECTED** to an adequate power supply in compliance with all applicable regulations. **ELECTRIC SHOCK HAZARD**
Use of a safety residual current circuit-breaker (R.C.C.B) will provide additional protection for the operator.
Appliance without plug **MUST** be installed by qualified staff.
Use only authorized electrical extension leads with suitable conductor gauge.
3. High pressure may cause parts to rebound: wear all the protective clothing and equipment needed to ensure the operator’s safety. **INJURY HAZARD**
4. Plug **MUST** be pulled out after shutting off the appliance or the appliance might start automatically, or the outlet might burn out.
5. Hold the gun firmly before triggering it. **INJURY HAZARD**
6. **COMPLY WITH** the requirements of the local water supply company. According to EN 12729(BA), the appliance may only be connected to the main drinking water supply if a backflow preventer valve with drain facility is installed in the supply hose. **CONTAMINATION HAZARD**
7. Maintenance and/or repair of electrical components **MUST** be carried out by qualified staff. **ACCIDENT HAZARD**
8. Shut down the appliance, cut power supply and water supply. Then, discharge the residual pressure by triggering the gun before disconnecting the unit hose. **INJURY HAZARD**
9. Before using the appliance, **CHECK** every time that the screws are fully tightened and that there are no broken or worn parts. **ACCIDENT HAZARD**
10. **ONLY USE** detergents which will **NOT** corrode the coating materials of the high-pressure hose/electrical cable. **EXPLOSION AND ELECTRIC SHOCK HAZARD**

11. ENSURE that all people or animals keep a minimum distance of 16yd. (15M) away when machine is in operation. **INJURY HAZARD**
12. The unit should STAND when it's working.
13. This appliance can NOT be stored in a damp environment.
14. When stopping the appliance, shut the appliance's switch off before pulling plug out.
15. Use only original or manufacturer approved spare parts for safety sake.
16. Total Stop (motor stops when trigger released) is NOT always effective and the appliance can NOT be at Total Stop for an extended period. If ineffective (for inner seal damaged, local voltage too low etc.), you MUST turn off the switch to stop the machine during operation.

SAFETY "MUST KNOWS"

Caution – Danger!

1. **Do not tamper with or adjust the safety valve setting.**
The safety valve is a pressure limiting valve.
When the gun trigger is released, the valve opens and the water recirculates through the pump inlet or is discharged onto the ground.
2. **Safety catch (see Connection of gun and hose)**
Prevent accidental spraying of water.
3. **Air outlet on plastic case. It should NOT be blocked during operation, or fire or electric shock hazard is possible**

The Steps to Using

1. Stand the machine up and place it on flat ground.
2. Check the water entry filter to make sure it is free of blockage.
3. Connect the lance onto the gun handle. (appliance stops)
4. Connect the gun with the high-pressure hose.
5. Loosen the high-pressure hose to avoid twisting.
6. Connect the hose onto the water output exit.
7. Connect the water supply hose to the water entry of the machine.
8. Connect another end of the supply hose to water source.
9. Press the gun trigger and turn on the water tap to expel the air inside the machine.
10. Plug in and turn on the machine.
11. Turn the nozzle until the water stream is in a shape you want.
12. After use, turn off the water tap, and then turn off the switch. Finally, unplug the machine

Storage and environment

Steps of storage

1. Switch the appliance off.
2. Turn off the water supply tap.
3. Remove the plug from the socket.
4. Discharge the residual pressure from the gun until all the water has come out of the nozzle.
5. Drain and wash out the detergent tank at the end of the working session. To wash out the tank, use clean water instead of the detergent.
6. Engage the gun safety catch.

Environment of storage

1. The temperature should be 0°C-60°C (32°F -140°F).
2. The appliance can NOT be put in damp environment for long time.
3. Treat the appliance with non-corrosive, non-toxic antifreeze before storing it away for winter.

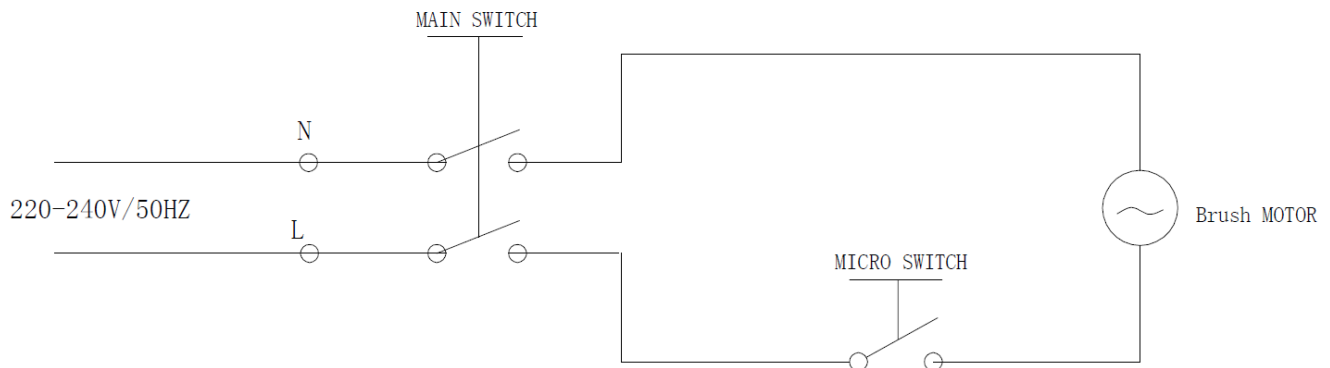
Main Features

1. Big wheel (diameter 17cm/6.7inch) for easy movement.
2. High effective brush motor with strong power.
3. Water pressure is 20 times higher than the city water pressure and 1.5 times higher than car washing facility's water pressure. It is easy and convenient for all household cleaning.
4. Auto stop function saves your energy and money.
5. Detergent bottle available to connect to gun, making it easy to wash away stubborn dirt.
6. Portable and upright style, one-piece machine with removable gun and lance.
7. High strength engineering plastic machine body, hang hook for wire and gun storage.
8. Component's storage designed for ease of access: if necessary, holder for accessories could be fixed and fix brush and rotary brush could be used conveniently.
9. Good water filtration system.
10. Adjustable water shape to meet the needs of various functions of washing; fan-shaped and linear available.
11. Self-suction makes it applicable without city water.
12. Aircraft contour looks fashionable.

Main Technical Data

	CL-1896AM
Motor:	Carbon brush
Rated pressure:	10.0MPa/100bar/1450PSI
Permissible pressure (max.):	15MPa/150bar/2176PSI
Inlet (max.):	0.3MPa/3bar/44PSI
Rated flow:	5.5 L/Min 1.3GPM
Max. flow:	9.0 L/Min 2.4GPM
Voltage/Frequency:	100V—120V / 60Hz 220V—240V / 50Hz
Rated power input:	1800 W
Degree of Protection:	IPX5
Protection class:	II
Sound power level:	102 dB(A)
Sound pressure level:	90 ±3 dB(A)
Acceleration:	1.5±0.15 m2/s2
Water temperature Max.:	40°C/104°F
N.W.:	8.8KGS/19.4LBS

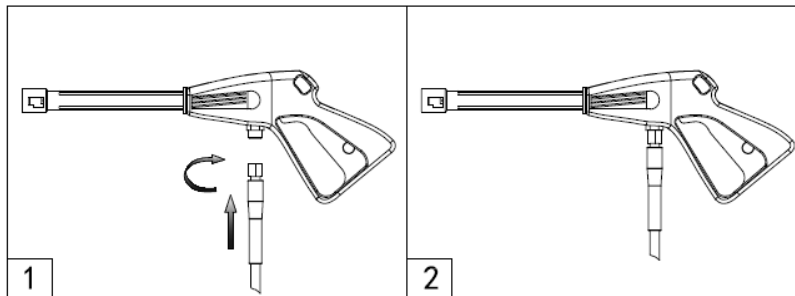
Electrical Diagram



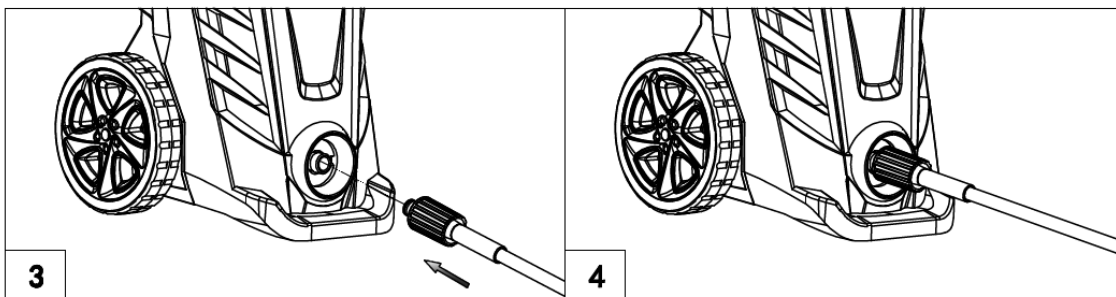
Assembly before operation

Please read the below Operation Instruction carefully and follow it to avoid any problems when installing and operating the appliance. Please go to the dealer for exchange if assembly fails for not-matching accessories.

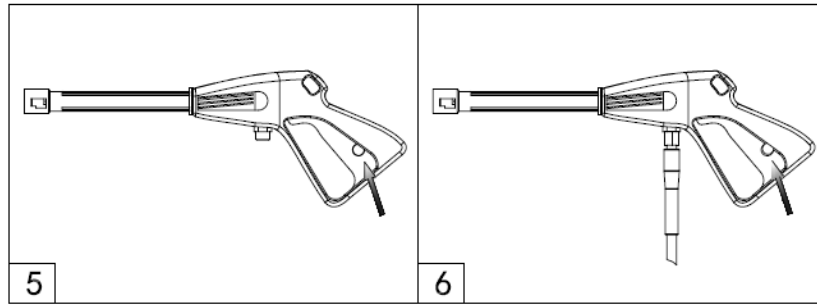
1. Fix the matching end of the hose firmly into the gun handle. See figures 1 and 2



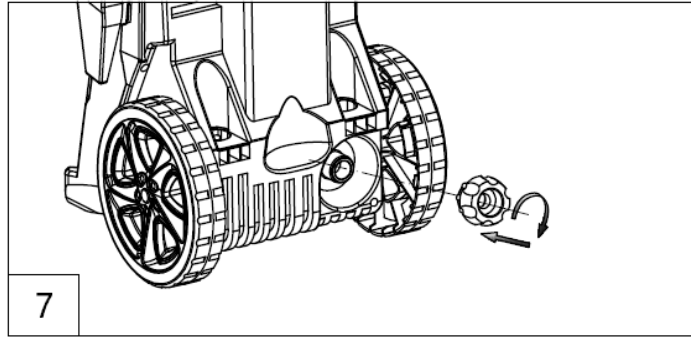
2. Screw the connector on the other end of the hose onto the water outlet pipe of unit. See figures 3 and 4.



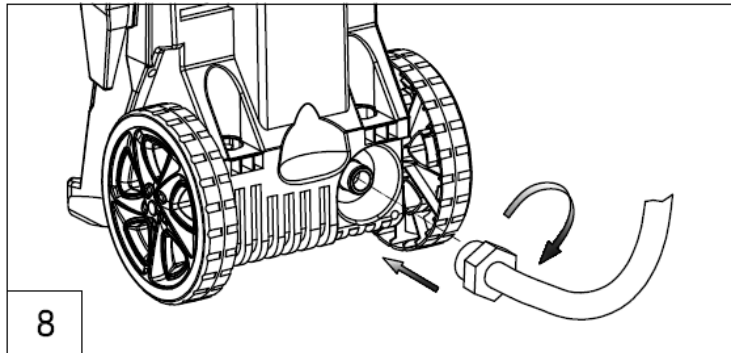
3. Tighten the connector by hand only.
4. Push the trigger lock button, ensuring the trigger is in the "Off" position. See figures 5 and 6.



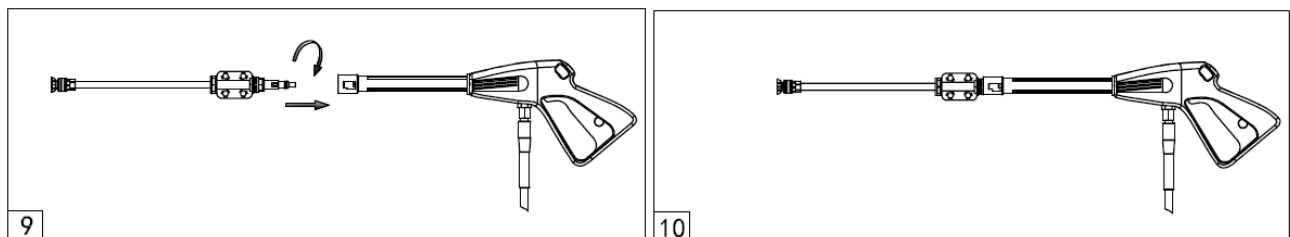
5. Fix the water inlet connector to the inlet pipe of unit. See figure 7



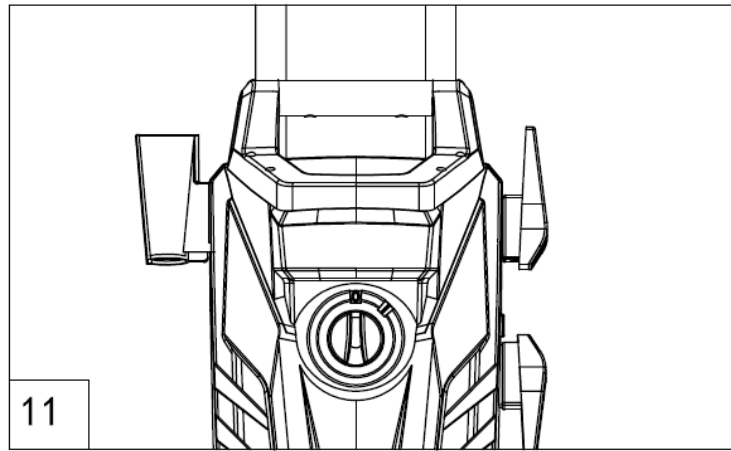
6. Connect the water inlet hose to the water inlet connector. See figure 8.



7. Connect the lance to the gun handle. See figures 9 and 10.



8. Turn the tap on, making sure that the tap is fully open.
9. Trigger the gun to expel the air in the unit before operating.
10. Turn the "On/Off" switch to the "Off" position. See figure 11.



11. Put plug into socket of main electric power.

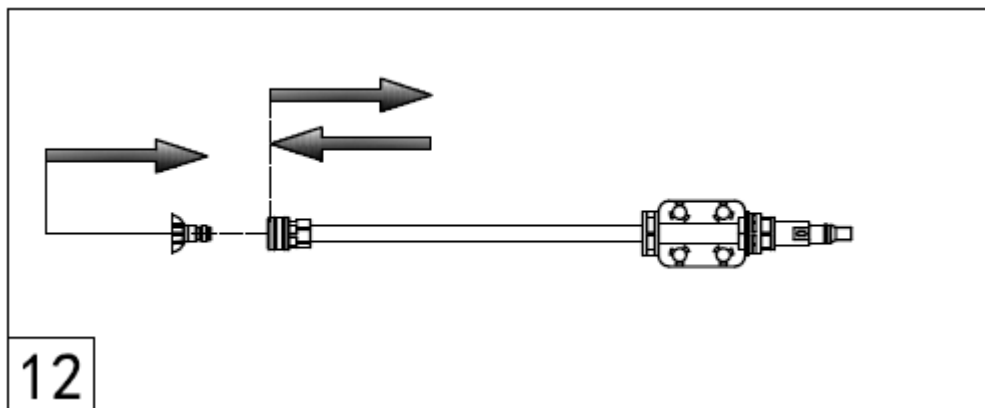
Now, the pressure washer is ready for use.

Adjusting the spray

The lance nozzle is changeable to allow you to adjust the spray shape including 0°, 15°, 25°, 40°

To adjust the nozzle, proceed as follows:

- 1 . Hold the lance in one hand.
- 2 . Press the adaptor of the lance and change the spray nozzle. See figure 12.



Self-suction Function of High-Pressure Washer

Please read the instruction carefully before using this appliance.

1. Suitable environment: surrounding temperature $\leq 40^{\circ}\text{C}/104^{\circ}\text{F}$ and introduction of non-corrosive liquid with temperature $\leq 40^{\circ}\text{C}/104^{\circ}\text{F}$ and viscosity $\leq 100\text{cP}$ (like city water supply, well water, rainwater etc.).
2. The self-suction function permits the pressure washer absorbing water from a water tank or well (1meter/yard of suction) automatically.
3. Working environment: in the case of available city water supply connection, the pressure washer can work by connecting to the city water supply; in the case of no available city water supply connection, water tank, water case or well could be as water sources.

4. Suction: suction (height of absorbing water) less than 1 meter/yard is recommended.
5. Time needed: when pressure washer applies self-suction, it'll take $\leq 30S$.
If the machine does not produce water from the nozzle after it is attempting operation for more than 60S, you must stop the machine and check if following conditions exists:
 - a) the height of absorbing water is too high -- It must be less than 1meter/yard.
 - b) the water inlet hose is not in the water or on the surface of water.
 - c) the filter is blocked.
6. When using the self-suction function, the working pressure should be a little less than general working situation. If the pressure is much less, please check if the lance or filter is blocked.

Note: When water is NOT from city water supply, optional water filter should be used to preventing dirt from going into unit.

Possible problems and solutions:

Problems	Probable cause	Possible solution
The machine will not start working.	<ol style="list-style-type: none"> 1. No power supply 2. Fault power supply. 3. Locking ring of the pump too tight. 	<ol style="list-style-type: none"> 1. Contact the after-sales service.
Not enough water is coming out, or uneven working pressure.	<ol style="list-style-type: none"> 1. The filter is blocked. 2. Inlet connection is not good, or air in inlet pipe. 3. The valve is blocked 4. The outlet nozzle is not smooth. 	<ol style="list-style-type: none"> 1. Clean the filter. 2. Check the connection, tighten the seal. Check whether the hose is clogged or whether there is not enough inlet water. 3. Clean the valve and install it again. 4. Contact the after-sales service.
Water leaking from the pump.	<ol style="list-style-type: none"> 1. A minimal amount of slow-flowing water/ water droplets is permissible, but if more water is leaking the seal may be worn out. 	<ol style="list-style-type: none"> 1. Contact the after-sales service.
The motor stops suddenly.	<ol style="list-style-type: none"> 1. The pressure control worked. 2. The thermal protection may have switched the motor off to prevent overheating. 	<ol style="list-style-type: none"> 1. Check if the outlet nozzle is blocked. Clean the nozzle. 2. Turn off the washer, and leave the machine for a few minutes to cool down. 3. Contact the after-sales service.

Note: If the motor has started but fails to restart during work, wait for 2-3 minutes (overload cut out has been tripped) before attempting to switch on the washer. If the problem occurs again, please contact the nearest Authorized Service Centre.



Manufacturer's 1-Year Limited Warranty

The manufacturer warrants that all parts and components are defect free in materials and workmanship for 1 year. This warranty is valid only in accordance with the conditions set forth below:

1. The warranty extends only to the original consumer purchaser and is not transferable. In addition, proof of purchase must be demonstrated.
2. This limited warranty is the only written or express warranty given by the manufacturer. Any implied warranty of merchantability or fitness for a particular purpose on this product is limited in duration to the duration of this warranty. Some states do not allow limitations on how long an implied warranty lasts, so the above limitation may not apply to you.
3. This warranty gives you specific legal rights. You may also have other rights which vary by state

Procedure for Replacement or Return within the 1 Year:

To return the product for replacement or refund within the 1 year, the original purchaser must pack the product securely and send it postage paid with a description of the reason for replacement or refund, proof of purchase, and include your order number on the package, to the following address:

Deco Home
80 Carter Drive
Edison, NJ 08817

Other contact info

Phone: 844-413-2646

Customer Service Email: customerservice@decogear.com